

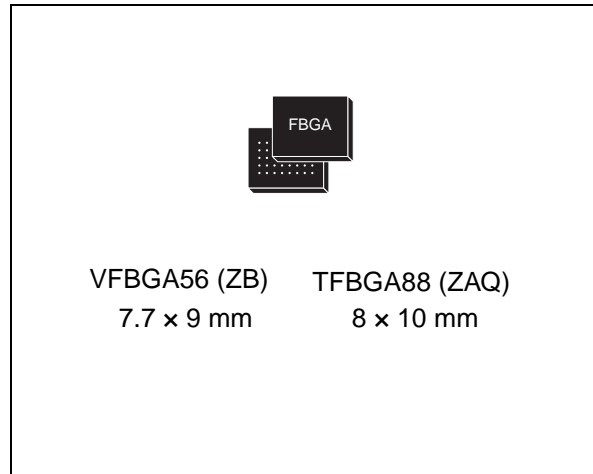


M58WR016KT M58WR032KT M58WR064KT M58WR016KB M58WR032KB M58WR064KB

16-, 32-, 64-Mbit (×16, multiple bank, burst)
1.8 V supply Flash memories

Features

- Supply voltage
 - $V_{DD} = 1.7\text{ V}$ to 2 V for program, erase and read
 - $V_{DDQ} = 1.7\text{ V}$ to 2 V for I/O buffers
 - $V_{PP} = 9\text{ V}$ for fast program
- Synchronous/asynchronous read
 - Synchronous burst read mode: 66 MHz
 - Asynchronous/synchronous page read mode
 - Random access times: 70 ns
- Synchronous burst read suspend
- Programming time
 - $10\text{ }\mu\text{s}$ by word typical for fast factory program
 - Double/quadruple word program option
 - Enhanced factory program options
- Memory blocks
 - Multiple bank memory array: 4 Mbit banks
 - Parameter blocks (top or bottom location)
- Dual operations
 - Program erase in one bank while read in others
 - No delay between read and write operations
- Block locking
 - All blocks locked at power-up
 - Any combination of blocks can be locked
 - \overline{WP} for block lock-down
- Security
 - 128-bit user programmable OTP cells
 - 64-bit unique device number
- Common Flash interface (CFI)
- $100\text{ }000$ program/erase cycles per block



- Electronic signature
 - Manufacturer code: 20h
 - Device codes:
 - M58WR016KT (top): 8812h
 - M58WR016KB (bottom): 8813h
 - M58WR032KT (top): 8814h
 - M58WR032KB (bottom): 8815h
 - M58WR064KT (top): 8810h
 - M58WR064KB (bottom): 8811h
- ECOPACK® package available

Contents

1	Description	9
2	Signal descriptions	18
2.1	Address inputs (A0-Amax)	18
2.2	Data inputs/outputs (DQ0-DQ15)	18
2.3	Chip Enable (\bar{E})	18
2.4	Output Enable (\bar{G})	18
2.5	Write Enable (\bar{W})	18
2.6	Write Protect (\bar{WP})	18
2.7	Reset (\bar{RP})	19
2.8	Latch Enable (\bar{L})	19
2.9	Clock (K)	19
2.10	Wait (WAIT)	19
2.11	V _{DD} supply voltage	19
2.12	V _{DDQ} supply voltage	19
2.13	V _{PP} program supply voltage	20
2.14	V _{SS} ground	20
2.15	V _{SSQ} ground	20
3	Bus operations	21
3.1	Bus read	21
3.2	Bus write	21
3.3	Address Latch	21
3.4	Output Disable	21
3.5	Standby	22
3.6	Reset	22
4	Command interface	23
5	Command interface - standard commands	24
5.1	Read Array command	24
5.2	Read Status Register command	24

5.3	Read Electronic Signature command	24
5.4	Read CFI Query command	25
5.5	Clear Status Register command	25
5.6	Block Erase command	26
5.7	Program command	26
5.8	Program/Erase Suspend command	27
5.9	Program/Erase Resume command	27
5.10	Protection Register Program command	28
5.11	The Set Configuration Register command	28
5.12	Block Lock command	28
5.13	Block Unlock command	29
5.14	Block Lock-Down command	29
6	Command interface - factory program commands	32
6.1	Double Word Program command	32
6.2	Quadruple Word Program command	33
6.3	Enhanced Factory Program command	34
6.3.1	Setup phase	34
6.3.2	Program phase	34
6.3.3	Verify phase	35
6.3.4	Exit phase	35
6.4	Quadruple Enhanced Factory Program command	36
6.4.1	Setup phase	36
6.4.2	Load phase	36
6.4.3	Program and verify phase	36
6.4.4	Exit phase	37
7	Status Register	39
7.1	Program/Erase Controller status bit (SR7)	39
7.2	Erase suspend status bit (SR6)	40
7.3	Erase status bit (SR5)	40
7.4	Program status bit (SR4)	40
7.5	V _{PP} status bit (SR3)	41
7.6	Program suspend status bit (SR2)	41
7.7	Block protection status bit (SR1)	41

7.8	Bank write/multiple word program status bit (SR0)	42
8	Configuration Register	44
8.1	Read select bit (CR15)	44
8.2	X-latency bits (CR13-CR11)	44
8.3	Wait polarity bit (CR10)	44
8.4	Data output configuration bit (CR9)	45
8.5	Wait Configuration Bit (CR8)	45
8.6	Burst type bit (CR7)	45
8.7	Valid clock edge bit (CR6)	45
8.8	Wrap burst bit (CR3)	45
8.9	Burst length bits (CR2-CR0)	46
9	Read modes	51
9.1	Asynchronous read mode	51
9.2	Synchronous burst read mode	52
9.3	Synchronous burst read suspend	53
9.4	Single synchronous read mode	53
10	Dual operations and multiple bank architecture	54
11	Block locking	56
11.1	Reading a block's lock status	56
11.2	Locked state	56
11.3	Unlocked state	56
11.4	Lock-down state	57
11.5	Locking operations during erase suspend	57
12	Program and erase times and endurance cycles	59
13	Maximum ratings	60
14	DC and AC parameters	61
15	Package mechanical	77

16	Part numbering	80
Appendix A	Block address tables	81
Appendix B	Common Flash interface	97
Appendix C	Flowcharts and pseudo codes	107
16.1	Enhanced factory program pseudo code	116
16.2	Quadruple enhanced factory program pseudo code	118
Appendix D	Command interface state tables	119
Revision history	124

List of tables

Table 1.	Signal names	11
Table 2.	M58WR016KT/B bank architecture	14
Table 3.	M58WR032KT/B bank architecture	14
Table 4.	M58WR064KT/B bank architecture	14
Table 5.	Bus operations	22
Table 6.	Command codes	23
Table 7.	Standard commands	30
Table 8.	Electronic signature codes	31
Table 9.	Factory program commands	38
Table 10.	Status Register bits	43
Table 11.	Latency settings	44
Table 12.	Configuration Register	47
Table 13.	Burst type definition	48
Table 14.	Dual operations allowed in other banks	54
Table 15.	Dual operations allowed in same bank	55
Table 16.	Dual operation limitations	55
Table 17.	Lock status	58
Table 18.	Program, erase times and endurance cycles	59
Table 19.	Absolute maximum ratings	60
Table 20.	Operating and AC measurement conditions	61
Table 21.	Capacitance	62
Table 22.	DC characteristics - currents	63
Table 23.	DC characteristics - voltages	64
Table 24.	Asynchronous read AC characteristics	67
Table 25.	Synchronous read AC characteristics	71
Table 26.	Write AC characteristics, Write Enable controlled	73
Table 27.	Write AC characteristics, Chip Enable controlled	75
Table 28.	Reset and power-up AC characteristics	76
Table 29.	VFBGA56 7.7 x 9 mm - 8 x 7 active ball array, 0.75 mm, package mechanical data	78
Table 30.	TFBGA88 8 x 10 mm - 8 x 10 ball array, 0.8 mm pitch, package data	79
Table 31.	Ordering information scheme	80
Table 32.	Top boot block addresses, M58WR016KT	81
Table 33.	Bottom boot block addresses, M58WR016KB	82
Table 34.	Top boot block addresses, M58WR032KT	84
Table 35.	Bottom boot block addresses, M58WR032KB	86
Table 36.	Top boot block addresses, M58WR064KT	89
Table 37.	Bottom boot block addresses, M58WR064KB	92
Table 38.	Query structure overview	97
Table 39.	CFI query identification string	98
Table 40.	CFI query system interface information	99
Table 41.	Device geometry definition	100
Table 42.	Primary algorithm-specific extended query table	101
Table 43.	Protection Register information	102
Table 44.	Burst Read information	102
Table 45.	Bank and erase block region information	102
Table 46.	Bank and erase block region 1 information	103
Table 47.	Bank and Erase block region 2 information	105
Table 48.	Command interface states - modify table, next state	119

Table 49.	Command interface states - modify table, next output	121
Table 50.	Command interface states - Lock table, next state.	122
Table 51.	Command interface states - lock table, next output	123
Table 52.	Document revision history	124

List of figures

Figure 1.	Logic diagram	11
Figure 2.	VFBGA56 connections (top view through package)	12
Figure 3.	TFBGA88 connections (top view through package)	13
Figure 4.	M58WR016KT/B memory map	15
Figure 5.	M58WR032KT/B memory map	16
Figure 6.	M58WR064KT/B memory map	17
Figure 7.	Protection Register memory map	31
Figure 8.	X-latency and data output configuration example.	50
Figure 9.	Wait configuration example	50
Figure 10.	AC measurement I/O waveform	61
Figure 11.	AC measurement load circuit	62
Figure 12.	Asynchronous random access read AC waveforms	65
Figure 13.	Asynchronous page read AC waveforms	66
Figure 14.	Synchronous burst read AC waveforms	68
Figure 15.	Single synchronous read AC waveforms	69
Figure 16.	Synchronous burst read suspend AC waveforms.	70
Figure 17.	Clock input AC waveform	71
Figure 18.	Write AC waveforms, Write Enable controlled	72
Figure 19.	Write AC waveforms, Chip Enable controlled.	74
Figure 20.	Reset and power-up AC waveforms	76
Figure 21.	VFBGA56 7.7 × 9 mm - 8 × 7 active ball array, 0.75 mm, package outline	77
Figure 22.	TFBGA88 8x10mm - 8 × 10 ball array, 0.8 mm pitch, bottom view outline	78
Figure 23.	Program flowchart and pseudo code	107
Figure 24.	Double word program flowchart and pseudo code	108
Figure 25.	Quadruple word program flowchart and pseudo code	109
Figure 26.	Program suspend and resume flowchart and pseudo code	110
Figure 27.	Block erase flowchart and pseudo code	111
Figure 28.	Erase suspend and resume flowchart and pseudo code	112
Figure 29.	Locking operations flowchart and pseudo code	113
Figure 30.	Protection Register program flowchart and pseudo code.	114
Figure 31.	Enhanced factory program flowchart	115
Figure 32.	Quadruple enhanced factory program flowchart.	117

1 Description

The M58WR016KT/B, M58WR032KT/B and M58WR064KT/B are 16 Mbit (1 Mbit ×16), 32 Mbit (2 Mbit ×16) and 64 Mbit (4 Mbit ×16) non-volatile Flash memories, respectively. They may be erased electrically at block level and programmed in-system on a word-by-word basis using a 1.7 V to 2 V V_{DD} supply for the circuitry and a 1.7 V to 2 V V_{DDQ} supply for the Input/Output pins. An optional 9 V V_{PP} power supply is provided to speed up customer programming.

The M58WRxxxKT/B feature an asymmetrical block architecture.

- The M58WR016KT/B has an array of 39 blocks, and is divided into 4 Mbit banks. There are 3 banks each containing 8 main blocks of 32 Kwords, and one parameter bank containing 8 parameter blocks of 4 Kwords and 7 main blocks of 32 Kwords.
- The M58WR032KT/B has an array of 71 blocks, and is divided into 4 Mbit banks. There are 7 banks each containing 8 main blocks of 32 Kwords, and one parameter bank containing 8 parameter blocks of 4 Kwords and 7 main blocks of 32 Kwords.
- The M58WR064KT/B has an array of 135 blocks, and is divided into 4 Mbit banks. There are 15 banks each containing 8 main blocks of 32 Kwords, and one parameter bank containing 8 parameter blocks of 4 Kwords and 7 main blocks of 32 Kwords.

The multiple bank architecture allows dual operations. While programming or erasing in one bank, read operations are possible in other banks. Only one bank at a time is allowed to be in program or erase mode. It is possible to perform burst reads that cross bank boundaries. The bank architectures are summarized in [Table 2](#), [Table 3](#) and [Table 4](#) and the memory maps are shown in [Figure 4](#), [Figure 5](#) and [Figure 6](#). The parameter blocks are located at the top of the memory address space for the M58WR016KT, M58WR032KT and M58WR064KT, and at the bottom for the M58WR016KB, M58WR032KB and M58WR064KB.

Each block can be erased separately. Erase can be suspended to perform program in any other block, and then resumed. Program can be suspended to read data in any other block and then resumed. Each block can be programmed and erased over 100 000 cycles using the supply voltage V_{DD} . Two enhanced factory programming commands are available to speed up programming.

Program and erase commands are written to the command interface of the memory. An internal Program/Erase Controller manages the timings necessary for program and erase operations. The end of a program or erase operation can be detected and any error conditions identified in the Status Register. The command set required to control the memory is consistent with JEDEC standards.

The device supports synchronous burst read and asynchronous read from all blocks of the memory array; at power-up the device is configured for asynchronous read. In synchronous burst mode, data is output on each clock cycle at frequencies of up to 66 MHz. The synchronous burst read operation can be suspended and resumed.

The device features an automatic standby mode. When the bus is inactive during asynchronous read operations, the device automatically switches to the automatic standby mode. In this condition the power consumption is reduced to the standby value I_{DD4} and the outputs are still driven.

The M58WRxxxKT/B feature an instant, individual block locking scheme that allows any block to be locked or unlocked with no latency, enabling instant code and data protection. All blocks have three levels of protection. They can be locked and locked-down individually preventing any accidental programming or erasure. There is additional hardware protection against program and erase. When $V_{PP} \leq V_{PPLK}$ all blocks are protected against program or erase. All blocks are locked at power-up.

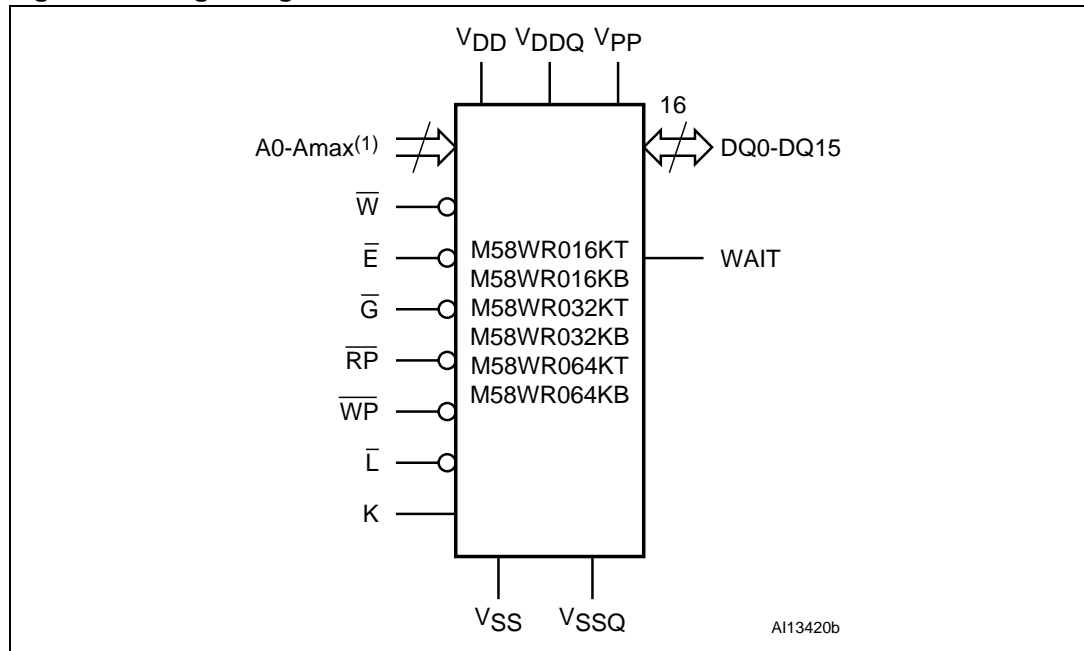
The device includes a Protection Register to increase the protection of a system's design. The Protection Register is divided into two segments: a 64-bit segment containing a unique device number written by Numonyx, and a 128-bit segment one-time-programmable (OTP) by the user. The user programmable segment can be permanently protected. [Figure 7](#) shows the Protection Register memory map.

The memory is offered in either of the following packages:

- VFBGA56 7.7 x 9 mm, 8 x 7 active ball array, 0.75 mm pitch
- TFBGA88 8 x 10 mm, 8 x 10 active ball array, 0.8 mm pitch

The device is supplied with all the bits erased (set to '1').

Figure 1. Logic diagram



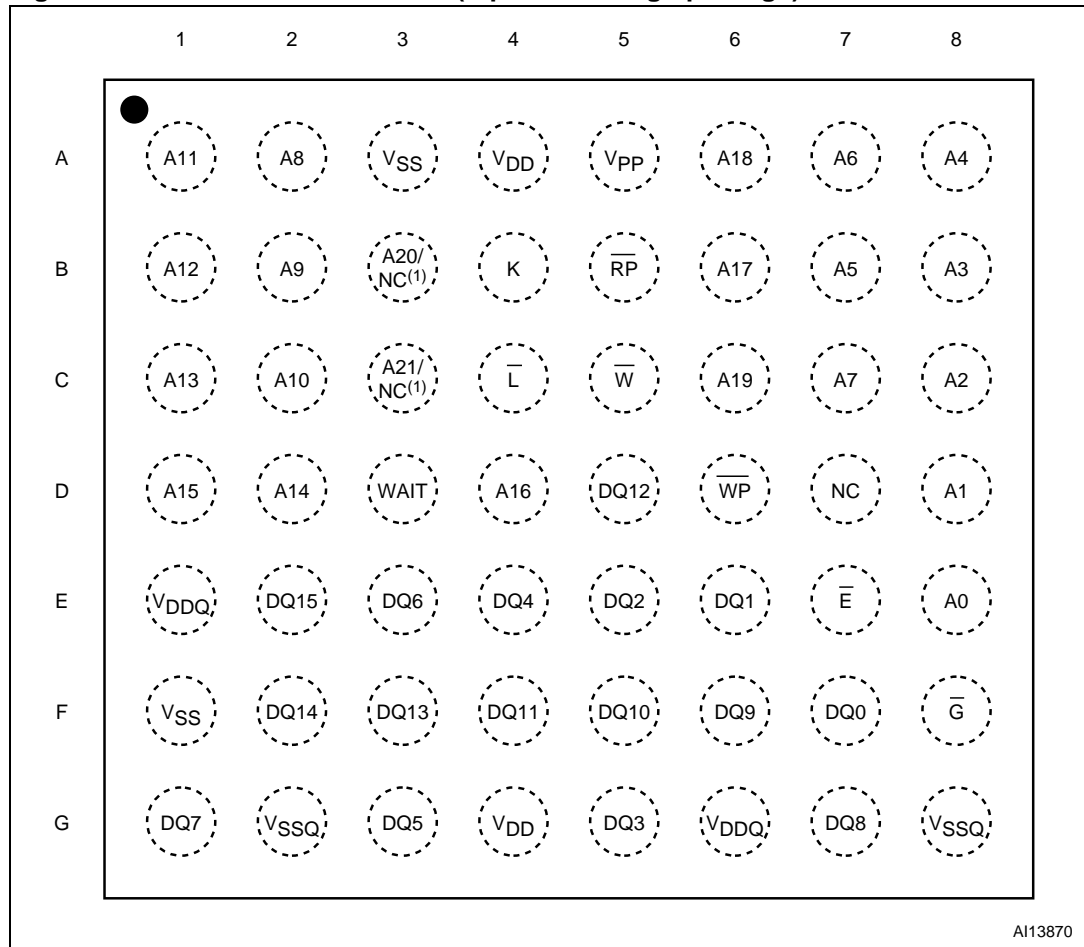
1. Amax is equal to A19 in the M58WR016KT/B, to A20 in the M58WR032KT/B and, to A21 in the M58WR064KT/B.

Table 1. Signal names

Signal name	Function	Direction
A0-Amax ⁽¹⁾	Address inputs	Inputs
DQ0-DQ15	Data input/outputs, command inputs	I/O
E-bar	Chip Enable	Input
G-bar	Output Enable	Input
W-bar	Write Enable	Input
RP-bar	Reset	Input
WP-bar	Write Protect	Input
K	Clock	Input
L-bar	Latch Enable	Input
WAIT	Wait	Output
V _{DD}	Supply voltage	Input
V _{DDQ}	Supply voltage for input/output buffers	Input
V _{PP}	Optional supply voltage for fast program and erase	Input
V _{SS}	Ground	
V _{SSQ}	Input/output supply ground	
NC	Not connected internally	
DU	Do not use	

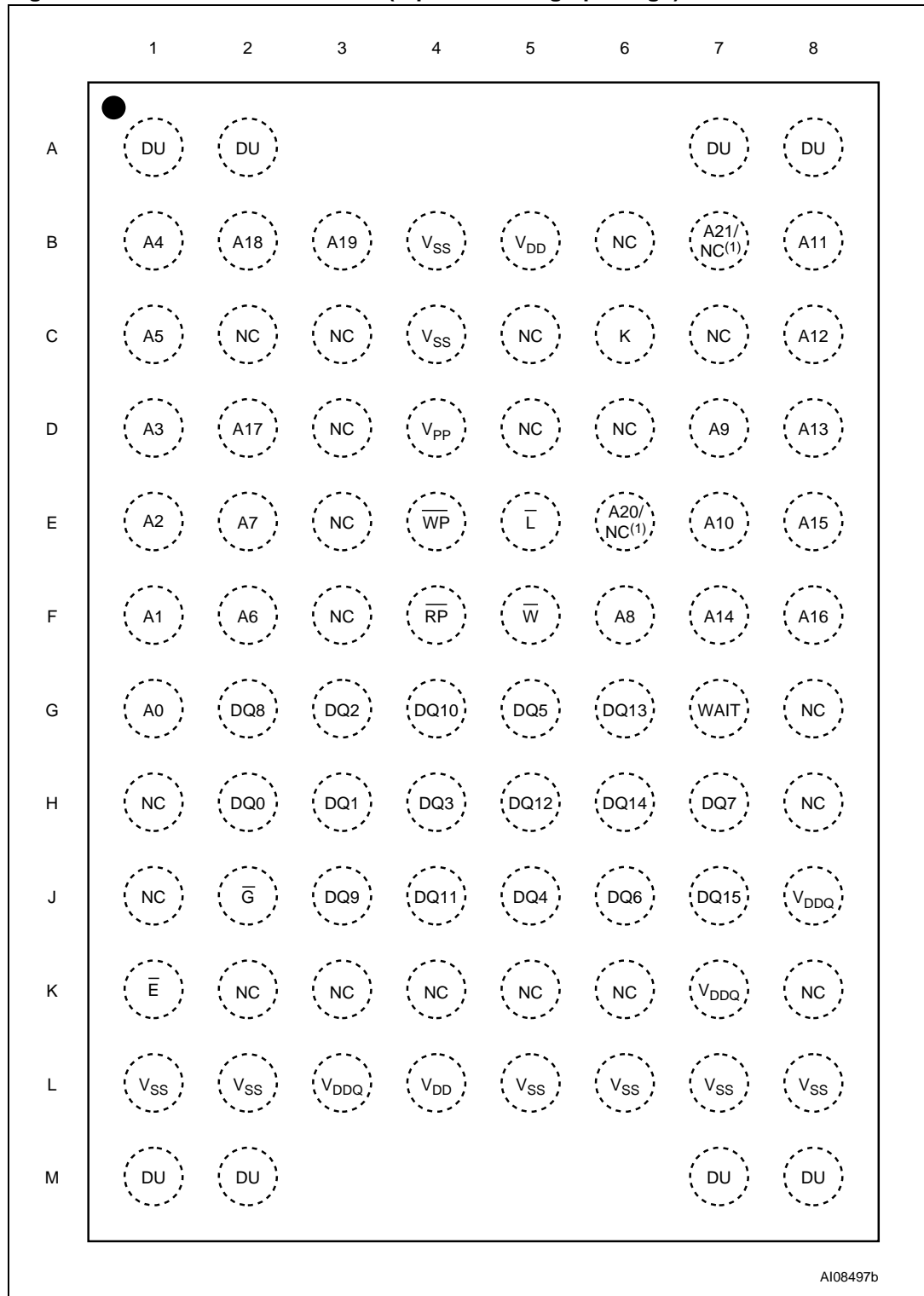
1. Amax is equal to A19 in the M58WR016KT/B, to A20 in the M58WR032KT/B and, to A21 in the M58WR064KT/B.

Figure 2. VFBGA56 connections (top view through package)



1. Ball B3 is A20 in the M58WR032KT/B and M58WR064KT/B, it is not connected internally (NC) in the M58WR016KT/B. Ball C3 is A21 in the M58WR064KT/B, it is not connected internally in the M58WR016KT/B and M58WR032KT/B.

Figure 3. TFBGA88 connections (top view through package)



1. Ball E6 is A20 in the M58WR032KT/B and M58WR064KT/B, and is not connected internally (NC) in the M58WR016KT/B. Ball B7 is A21 in the M58WR064KT/B, and is not connected internally in the M58WR016KT/B and M58WR032KT/B.

Table 2. M58WR016KT/B bank architecture

Number	Bank size	Parameter blocks	Main blocks
Parameter bank	4 Mbit	8 blocks of 4 Kword	7 blocks of 32 Kword
Bank 1	4 Mbit	-	8 blocks of 32 Kword
Bank 2	4 Mbit	-	8 blocks of 32 Kword
Bank 3	4 Mbit	-	8 blocks of 32 Kword

Table 3. M58WR032KT/B bank architecture

Number	Bank size	Parameter blocks	Main blocks
Parameter bank	4 Mbit	8 blocks of 4 Kword	7 blocks of 32 Kword
Bank 1	4 Mbit	-	8 blocks of 32 Kword
Bank 2	4 Mbit	-	8 blocks of 32 Kword
Bank 3	4 Mbit	-	8 blocks of 32 Kword
⋮	⋮	⋮	⋮
Bank 6	4 Mbit	-	8 blocks of 32 Kword
Bank 7	4 Mbit	-	8 blocks of 32 Kword

Table 4. M58WR064KT/B bank architecture

Number	Bank size	Parameter blocks	Main blocks
Parameter Bank	4 Mbit	8 blocks of 4 Kword	7 blocks of 32 Kword
Bank 1	4 Mbit	-	8 blocks of 32 Kword
Bank 2	4 Mbit	-	8 blocks of 32 Kword
Bank 3	4 Mbit	-	8 blocks of 32 Kword
⋮	⋮	⋮	⋮
Bank 14	4 Mbit	-	8 blocks of 32 Kword
Bank 15	4 Mbit	-	8 blocks of 32 Kword

Figure 4. M58WR016KT/B memory map

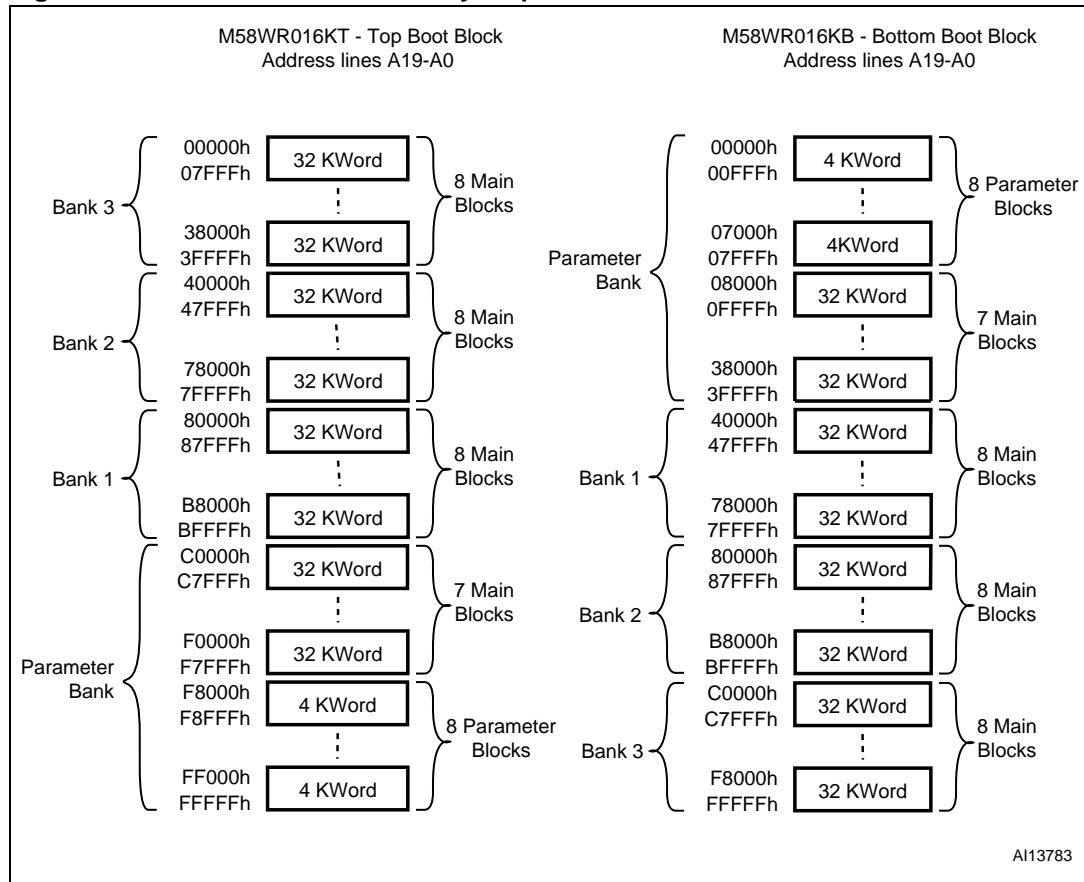


Figure 5. M58WR032KT/B memory map

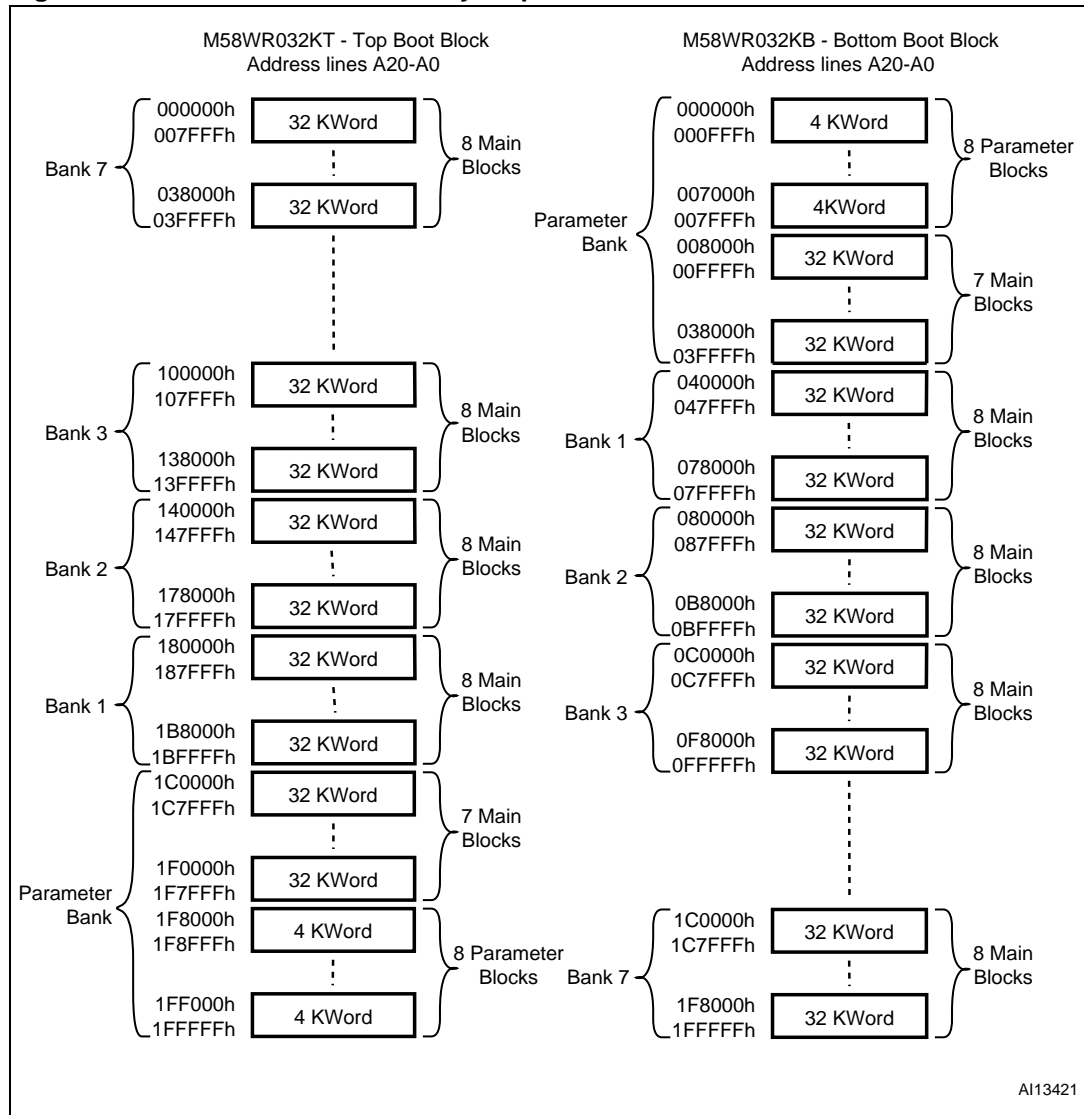
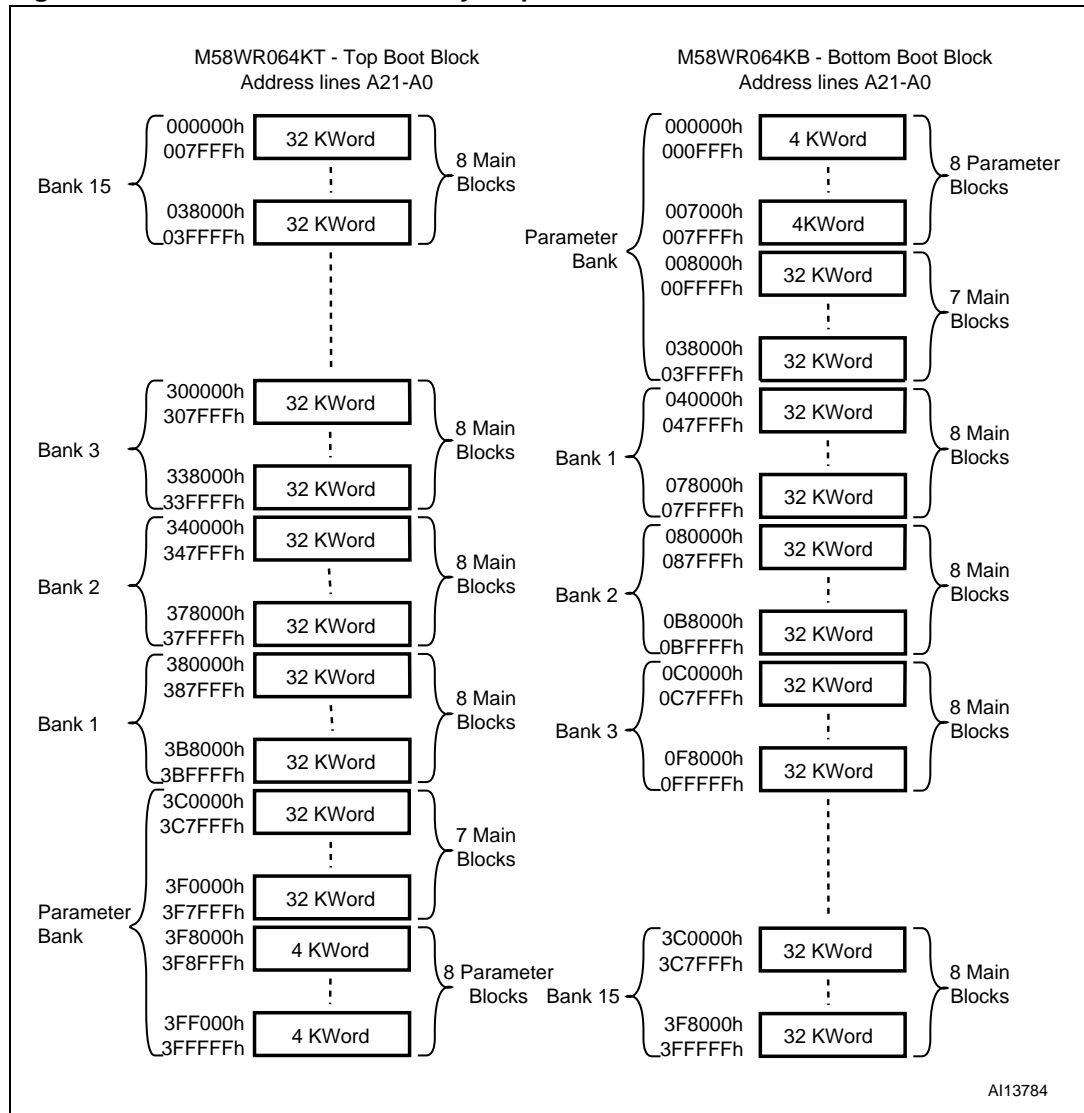


Figure 6. M58WR064KT/B memory map



2 Signal descriptions

See [Figure 1: Logic diagram](#) and [Table 1: Signal names](#) for a brief overview of the signals connected to this device.

2.1 Address inputs (A0-Amax)

Amax is the highest order address input. It is equal to A19 in the M58WR016KT/B, to A20 in the M58WR032KT/B and, to A21 in the M58WR064KT/B. The address inputs select the cells in the memory array to access during bus read operations. During bus write operations they control the commands sent to the command interface of the Program/Erase Controller.

2.2 Data inputs/outputs (DQ0-DQ15)

The data I/O output the data stored at the selected address during a bus read operation or input a command or the data to be programmed during a bus write operation.

2.3 Chip Enable (\overline{E})

The Chip Enable input activates the memory control logic, input buffers, decoders and sense amplifiers. When Chip Enable is at V_{IL} and Reset is at V_{IH} the device is in active mode. When Chip Enable is at V_{IH} the memory is deselected, the outputs are high impedance and the power consumption is reduced to the standby level.

2.4 Output Enable (\overline{G})

The Output Enable input controls data outputs during the bus read operation of the memory.

2.5 Write Enable (\overline{W})

The Write Enable input controls the bus write operation of the memory's command interface. The data and address inputs are latched on the rising edge of Chip Enable or Write Enable, whichever occurs first.

2.6 Write Protect (\overline{WP})

Write Protect is an input that provides additional hardware protection for each block. When Write Protect is at V_{IL} , the lock-down is enabled and the protection status of the locked-down blocks cannot be changed. When Write Protect is at V_{IH} , the lock-down is disabled and the locked-down blocks can be locked or unlocked. (refer to [Table 17: Lock status](#)).

2.7 Reset ($\overline{\text{RP}}$)

The Reset input provides a hardware reset of the memory. When Reset is at V_{IL} , the memory is in reset mode: the outputs are high impedance and the current consumption is reduced to the reset supply current I_{DD2} . Refer to [Table 22: DC characteristics - currents](#) for the value of I_{DD2} . After Reset all blocks are in the locked state and the Configuration Register is reset. When Reset is at V_{IH} , the device is in normal operation. Upon exiting reset mode the device enters asynchronous read mode, but a negative transition of Chip Enable or Latch Enable is required to ensure valid data outputs.

2.8 Latch Enable ($\overline{\text{L}}$)

Latch Enable latches the address bits on its rising edge. The address latch is transparent when Latch Enable is at V_{IL} and it is inhibited when Latch Enable is at V_{IH} . Latch Enable can be kept Low (also at board level) when the Latch Enable function is not required or supported.

2.9 Clock (K)

The clock input synchronizes the memory to the microcontroller during synchronous read operations; the address is latched on a Clock edge (rising or falling, according to the configuration settings) when Latch Enable is at V_{IL} . Clock is 'don't care' during asynchronous read and in write operations.

2.10 Wait (WAIT)

Wait is an output signal used during synchronous read to indicate whether the data on the output bus are valid. This output is high impedance when Chip Enable is at V_{IH} or Reset is at V_{IL} . It can be configured to be active during the wait cycle or one clock cycle in advance. The WAIT signal is not gated by Output Enable.

2.11 V_{DD} supply voltage

V_{DD} provides the power supply to the internal core of the memory device. It is the main power supply for all operations (read, program and erase).

2.12 V_{DDQ} supply voltage

V_{DDQ} provides the power supply to the I/O pins and enables all outputs to be powered independently of V_{DD} . V_{DDQ} can be tied to V_{DD} or can use a separate supply.

2.13 V_{PP} program supply voltage

V_{PP} is both a control input and a power supply pin. The two functions are selected by the voltage range applied to the pin.

If V_{PP} is kept in a low voltage range (0 V to V_{DDQ}) V_{PP} is seen as a control input. In this case a voltage lower than V_{PPLK} provides absolute protection against program or erase, while V_{PP} in the V_{PP1} range enables these functions (see Tables 22 and 23, DC characteristics for the relevant values). V_{PP} is only sampled at the beginning of a program or erase; a change in its value after the operation has started does not have any effect and program or erase operations continue.

If V_{PP} is in the range of V_{PPH} it acts as a power supply pin. In this condition V_{PP} must be stable until the program/erase algorithm is completed.

2.14 V_{SS} ground

V_{SS} ground is the reference for the core supply, and must be connected to the system ground.

2.15 V_{SSQ} ground

V_{SSQ} ground is the reference for the input/output circuitry driven by V_{DDQ} . V_{SSQ} must be connected to V_{SS}

Note: Each device in a system should have V_{DD} , V_{DDQ} and V_{PP} decoupled with a 0.1 μF ceramic capacitor close to the pin (high-frequency, inherently-low inductance capacitors should be as close as possible to the package). See [Figure 11: AC measurement load circuit](#). The PCB track widths should be sufficient to carry the required V_{PP} program and erase currents.

3 Bus operations

There are six standard bus operations that control the device. These are bus read, bus write, address latch, output disable, standby and reset. See [Table 5: Bus operations](#) for a summary.

Typically glitches of less than 5 ns on Chip Enable or Write Enable are ignored by the memory and do not affect bus write operations.

3.1 Bus read

Bus read operations output the contents of the memory array, the electronic signature, the Status Register and the common Flash interface. Both Chip Enable and Output Enable must be at V_{IL} in order to perform a read operation. The Chip Enable input should be used to enable the device. Output Enable should be used to gate data onto the output. The data read depends on the previous command written to the memory (see [Section 4: Command interface](#)). See Figures [12](#), [13](#), [14](#) and [15](#), read AC waveforms, and Tables [24](#) and [25](#), read AC characteristics, for details of when the output becomes valid.

3.2 Bus write

Bus write operations write commands to the memory or latch input data to be programmed. A bus write operation is initiated when Chip Enable and Write Enable are at V_{IL} with Output Enable at V_{IH} . Commands, input data and addresses are latched on the rising edge of Write Enable or Chip Enable, whichever occurs first. The addresses can also be latched prior to the write operation by toggling Latch Enable. In this case the Latch Enable should be tied to V_{IH} during the bus write operation.

See Figures [18](#) and [19](#), write AC waveforms, and Tables [26](#) and [27](#), write AC characteristics for details of the timing requirements.

3.3 Address Latch

Address latch operations input valid addresses. Both Chip enable and Latch Enable must be at V_{IL} during address latch operations. The addresses are latched on the rising edge of Latch Enable.

3.4 Output Disable

The outputs are high impedance when the Output Enable is at V_{IH} .

3.5 Standby

Standby disables most of the internal circuitry allowing a substantial reduction of the current consumption. The memory is in standby when Chip Enable and Reset are at V_{IH} . The power consumption is reduced to the standby level and the outputs are set to high impedance, independently from the Output Enable or Write Enable inputs. If Chip Enable switches to V_{IH} during a program or erase operation, the device enters standby mode when finished.

3.6 Reset

During reset mode the memory is deselected and the outputs are high impedance. The memory is in reset mode when Reset is at V_{IL} . The power consumption is reduced to the standby level, independently from the Chip Enable, Output Enable or Write Enable inputs. If Reset is pulled to V_{SS} during a program or erase, this operation is aborted and the memory content is no longer valid.

Table 5. Bus operations⁽¹⁾

Operation	\bar{E}	\bar{G}	\bar{W}	\bar{L}	\bar{RP}	WAIT ⁽²⁾	DQ15-DQ0
Bus read	V_{IL}	V_{IL}	V_{IH}	V_{IL} ⁽³⁾	V_{IH}		Data output
Bus write	V_{IL}	V_{IH}	V_{IL}	V_{IL} ⁽³⁾	V_{IH}		Data input
Address latch	V_{IL}	X	V_{IH}	V_{IL}	V_{IH}		Data output or Hi-Z ⁽⁴⁾
Output disable	V_{IL}	V_{IH}	V_{IH}	X	V_{IH}		Hi-Z
Standby	V_{IH}	X	X	X	V_{IH}	Hi-Z	Hi-Z
Reset	X	X	X	X	V_{IL}	Hi-Z	Hi-Z

1. X = 'don't care'
2. WAIT signal polarity is configured using the Set Configuration Register command.
3. \bar{L} can be tied to V_{IH} if the valid address has been previously latched.
4. Depends on \bar{G} .

4 Command interface

All bus write operations to the memory are interpreted by the command interface. Commands consist of one or more sequential bus write operations. An internal Program/Erase Controller manages all timings and verifies the correct execution of the program and erase commands. The Program/Erase Controller provides a Status Register whose output may be read at any time to monitor the progress or the result of the operation.

The command interface is reset to read mode when power is first applied, when exiting from Reset, or whenever V_{DD} is lower than V_{LKO} . Command sequences must be followed exactly. Any invalid combination of commands is ignored.

Refer to [Table 6: Command codes](#), and [Appendix D](#), Tables [48](#), [49](#), [50](#) and [51](#), command interface states - modify and lock tables, for a summary of the command interface.

The command interface is split into two types of commands: standard commands and factory program commands. The following sections explain in detail how to perform each command.

Table 6. Command codes

Hex Code	Command
01h	Block Lock Confirm
03h	Set Configuration Register Confirm
10h	Alternative Program Setup
20h	Block Erase Setup
2Fh	Block Lock-Down Confirm
30h	Enhanced Factory Program Setup
35h	Double Word Program Setup
40h	Program Setup
50h	Clear Status Register
56h	Quadruple Word Program Setup
60h	Block Lock Setup, Block Unlock Setup, Block Lock Down Setup and Set Configuration Register Setup
70h	Read Status Register
75h	Quadruple Enhanced Factory Program Setup
90h	Read Electronic Signature
98h	Read CFI Query
B0h	Program/Erase Suspend
C0h	Protection Register Program
D0h	Program/Erase Resume, Block Erase Confirm, Block Unlock Confirm or Enhanced Factory Program Confirm
FFh	Read Array

5 Command interface - standard commands

The following commands are the basic commands used to read, write to and configure the device. Refer to [Table 7: Standard commands](#), in conjunction with the following descriptions in this section.

5.1 Read Array command

The Read Array command returns the addressed bank to read array mode. One bus write cycle is required to issue the Read Array command and return the addressed bank to read array mode. Subsequent read operations read the addressed location and output the data. A Read Array command can be issued in one bank while programming or erasing in another bank. However, if a Read Array command is issued to a bank currently executing a program or erase operation the command is executed but the output data is not guaranteed.

5.2 Read Status Register command

The Status Register indicates when a program or erase operation is complete and the success or failure of operation itself. Issue a Read Status Register command to read the Status Register content. The Read Status Register command can be issued at any time, even during program or erase operations.

The following read operations output the content of the Status Register of the addressed bank. The Status Register is latched on the falling edge of \bar{E} or \bar{G} signals, and can be read until \bar{E} or \bar{G} returns to V_{IH} . Either \bar{E} or \bar{G} must be toggled to update the latched data. See [Table 10](#) for the description of the Status Register bits. This mode supports asynchronous or single synchronous reads only.

5.3 Read Electronic Signature command

The Read Electronic Signature command reads the manufacturer and device codes, the block locking status, the Protection Register, and the Configuration Register.

The Read Electronic Signature command consists of one write cycle to an address within one of the banks. A subsequent read operation in the same bank outputs the manufacturer code, the device code, the protection status of the blocks in the targeted bank, the Protection Register, or the Configuration Register (see [Table 8](#)).

Dual operations between the parameter bank and the electronic signature locations are not allowed (see [Table 16: Dual operation limitations](#)).

If a Read Electronic Signature command is issued in a bank that is executing a program or erase operation, the bank goes into read electronic signature mode, subsequent bus read cycles output the electronic signature data, and the Program/Erase Controller continues to program or erase in the background. This mode supports asynchronous or single synchronous reads only; it does not support page mode or synchronous burst reads.

5.4 Read CFI Query command

The Read CFI Query command reads data from the common Flash interface (CFI). The Read CFI Query command consists of one bus write cycle to an address within one of the banks. Once the command is issued subsequent bus read operations in the same bank read from the common Flash interface.

If a Read CFI Query command is issued in a bank that is executing a program or erase operation, the bank goes into Read CFI Query mode, subsequent bus read cycles output the CFI data, and the Program/Erase Controller continues to program or erase in the background. This mode supports asynchronous or single synchronous reads only; it does not support page mode or synchronous burst reads.

The status of the other banks is not affected by the command (see [Table 14](#)). After issuing a Read CFI Query command, a Read Array command should be issued to the addressed bank to return the bank to read array mode.

Dual operations between the parameter bank and the CFI memory space are not allowed (see [Table 16: Dual operation limitations](#) for details).

See [Appendix B: Common Flash interface](#), Tables [38](#), [39](#), [40](#), [41](#), [42](#), [43](#), [44](#), [45](#), [46](#) and [47](#) for details on the information contained in the common Flash interface memory area.

5.5 Clear Status Register command

The Clear Status Register command resets (set to '0') error bits SR1, SR3, SR4 and SR5 in the Status Register. One bus write cycle is required to issue the Clear Status Register command. The Clear Status Register command does not change the read mode of the bank.

The error bits in the Status Register do not automatically return to '0' when a new command is issued. The error bits in the Status Register should be cleared before attempting a new program or erase command.

5.6 Block Erase command

The Block Erase command erases a block. It sets all the bits within the selected block to '1'. All previous data in the block is lost. If the block is protected then the erase operation aborts, the data in the block does not change, and the Status Register outputs the error. The Block Erase command can be issued at any moment, regardless of whether the block has been programmed or not.

Two bus write cycles are required to issue the command:

- The first bus cycle sets up the erase command
- The second latches the block address in the Program/Erase Controller and starts it

If the second bus cycle is not Write Erase Confirm (D0h), Status Register bits SR4 and SR5 are set and the command aborts. Erase aborts if Reset turns to V_{IL} . As data integrity cannot be guaranteed when the erase operation is aborted, the block must be erased again.

Once the command is issued, the device outputs the Status Register data when any address within the bank is read. At the end of the operation the bank remains in Read Status Register mode until a Read Array, Read CFI Query, or Read Electronic Signature command is issued.

During erase operations the bank containing the block being erased only accepts the Read Array, Read Status Register, Read Electronic Signature, Read CFI Query and the Program/Erase Suspend commands; all other commands are ignored. Refer to [Section 10](#) for detailed information about simultaneous operations allowed in banks not being erased. Typical erase times are given in [Table 18: Program, erase times and endurance cycles](#).

See [Appendix C, Figure 27: Block erase flowchart and pseudo code](#) for a suggested flowchart for using the Block Erase command.

5.7 Program command

The memory array can be programmed word-by-word. Only one word in one bank can be programmed at any one time. If the block is protected, the program operation aborts, the data in the block does not change, and the Status Register outputs the error.

Two bus write cycles are required to issue the Program command:

- The first bus cycle sets up the Program command
- The second latches the address and the data to be written and starts the Program/Erase Controller

After programming has started, read operations in the bank being programmed output the Status Register content.

During Program operations the bank being programmed only accepts the Read Array, Read Status Register, Read Electronic Signature, Read CFI Query and the Program/Erase Suspend commands. Refer to [Section 10](#) for detailed information about simultaneous operations allowed in banks not being programmed. Typical program times are given in [Table 18: Program, erase times and endurance cycles](#).

Programming aborts if Reset goes to V_{IL} . As data integrity cannot be guaranteed when the program operation is aborted, the memory location must be reprogrammed.

See [Appendix C, Figure 23: Program flowchart and pseudo code](#) for the flowchart for using the Program command.

5.8 Program/Erase Suspend command

The Program/Erase Suspend command pauses a program or block erase operation.

One bus write cycle is required to issue the Program/Erase Suspend command. Once the Program/Erase Controller has paused bits SR7, SR6 and/ or SR2 of the Status Register are set to '1'. The command can be addressed to any bank.

During program/erase suspend the command interface accepts the Program/Erase Resume, Read Array (cannot read the erase-suspended block or the program-suspended word), Read Status Register, Read Electronic Signature, Clear Status Register, and Read CFI Query commands. In addition, if the suspended operation is erase then the Set Configuration Register, Program, Block Lock, Block Lock-Down or Block Unlock commands are also accepted. The block being erased may be protected by issuing the Block Lock, or Block Lock-Down commands. Only the blocks not being erased may be read or programmed correctly. When the Program/Erase Resume command is issued the operation completes. Refer to [Section 10](#) for detailed information about simultaneous operations allowed during Program/Erase Suspend.

During a program/erase suspend, the device is placed in standby mode by taking Chip Enable to V_{IH} . Program/erase is aborted if Reset turns to V_{IL} .

See [Appendix C, Figure 26: Program suspend and resume flowchart and pseudo code](#), and [Figure 28: Erase suspend and resume flowchart and pseudo code](#) for flowcharts for using the Program/Erase Suspend command.

5.9 Program/Erase Resume command

The Program/Erase Resume command restarts the Program/Erase Controller after a Program/Erase Suspend command has paused it. One bus write cycle is required to issue the command. The command can be written to any address.

The Program/Erase Resume command does not change the read mode of the banks. If the suspended bank is in read Status Register, read electronic signature or read CFI query mode the bank remains in that mode and outputs the corresponding data. If the bank is in read array mode, subsequent read operations output invalid data.

If a Program command is issued during a block erase suspend, the erase cannot be resumed until the programming operation has completed. It is possible to accumulate suspend operations. For example, it is possible to suspend an erase operation, start a programming operation, suspend the programming operation, and then read the array. See [Appendix C, Figure 26: Program suspend and resume flowchart and pseudo code](#) and [Figure 28: Erase suspend and resume flowchart and pseudo code](#) for flowcharts for using the Program/Erase Resume command.

5.10 Protection Register Program command

The Protection Register Program command programs the 128-bit user OTP segment of the Protection Register and the Protection Register lock. The segment is programmed 16 bits at a time. When shipped, all bits in the segment are set to '1'. The user can only program the bits to '0'.

Two write cycles are required to issue the Protection Register Program command:

- The first bus cycle sets up the Protection Register Program command.
- The second latches the address and the data to be written to the Protection Register and starts the Program/Erase Controller.

Read operations output the Status Register content after the programming has started.

The segment can be protected by programming bit 1 of the Protection Lock Register (see [Figure 7: Protection Register memory map](#)). Attempting to program a previously protected Protection Register results in a Status Register error. The protection of the Protection Register is not reversible. The Protection Register program cannot be suspended. Dual operations between the parameter bank and the Protection Register memory space are not allowed (see [Table 16: Dual operation limitations](#)).

5.11 The Set Configuration Register command

The Set Configuration Register command writes a new value to the Configuration Register, which defines the burst length, type, X latency, synchronous/asynchronous read mode, and the valid Clock edge configuration.

Two bus write cycles are required to issue the Set Configuration Register command:

- The first cycle writes the setup command and the address corresponding to the Configuration Register content.
- The second cycle writes the Configuration Register data and the confirm command.

Read operations output the memory array content after the Set Configuration Register command is issued.

The value for the Configuration Register is always presented on A0-A15. CR0 is on A0, CR1 on A1, etc.; the other address bits are ignored.

5.12 Block Lock command

The Block Lock command locks a block and prevents program or erase operations from changing the data in it. All blocks are locked at power-up or reset.

Two bus write cycles are required to issue the Block Lock command:

- The first bus cycle sets up the Block Lock command.
- The second bus write cycle latches the block address.

The lock status can be monitored for each block using the Read Electronic Signature command. [Table 17](#) shows the lock status after issuing a Block Lock command.

The block lock bits are volatile; once set they remain set until a hardware reset or power-down/power-up. They are cleared by a Block Unlock command. Refer to [Section 11: Block locking](#) for a detailed explanation. See [Appendix C, Figure 29: Locking operations flowchart and pseudo code](#) for a flowchart for using the Lock command.

5.13 Block Unlock command

The Block Unlock command unlocks a block, allowing the block to be programmed or erased. Two bus write cycles are required to issue the Block Unlock command:

- The first bus cycle sets up the Block Unlock command.
- The second bus write cycle latches the block address.

The lock status can be monitored for each block using the Read Electronic Signature command. [Table 17](#) shows the protection status after issuing a Block Unlock command. Refer to [Section 11: Block locking](#) for a detailed explanation and [Appendix C, Figure 29: Locking operations flowchart and pseudo code](#) for a flowchart for using the Unlock command.

5.14 Block Lock-Down command

A locked or unlocked block can be locked down by issuing the Block Lock-Down command. A locked-down block cannot be programmed or erased, or have its protection status changed when \overline{WP} is low, V_{IL} . When \overline{WP} is high, V_{IH} , the lock-down function is disabled and the locked blocks can be individually unlocked by the Block Unlock command.

Two bus write cycles are required to issue the Block Lock-Down command:

- The first bus cycle sets up the Block Lock command.
- The second bus write cycle latches the block address.

The lock status can be monitored for each block using the Read Electronic Signature command. Locked-down blocks revert to the locked (and not locked-down) state when the device is reset on power-down. [Table 17](#) shows the lock status after issuing a Block Lock-Down command. Refer to [Section 11: Block locking](#) for a detailed explanation and [Appendix C, Figure 29: Locking operations flowchart and pseudo code](#) for a flowchart for using the Lock-Down command.

Table 7. Standard commands

Commands	Cycles	Bus operations ⁽¹⁾					
		1st cycle			2nd cycle		
		Op.	Add	Data	Op.	Add	Data
Read Array	1+	Write	BKA	FFh	Read	WA	RD
Read Status Register	1+	Write	BKA	70h	Read	BKA ⁽²⁾	SRD
Read Electronic Signature	1+	Write	BKA	90h	Read	BKA ⁽²⁾	ESD
Read CFI Query	1+	Write	BKA	98h	Read	BKA ⁽²⁾	QD
Clear Status Register	1	Write	X	50h			
Block Erase	2	Write	BKA or BA ⁽³⁾	20h	Write	BA	D0h
Program	2	Write	BKA or WA ⁽³⁾	40h or 10h	Write	WA	PD
Program/Erase Suspend	1	Write	X	B0h			
Program/Erase Resume	1	Write	X	D0h			
Protection Register Program	2	Write	PRA	C0h	Write	PRA	PRD
Set Configuration Register	2	Write	CRD	60h	Write	CRD	03h
Block Lock	2	Write	BKA or BA ⁽³⁾	60h	Write	BA	01h
Block Unlock	2	Write	BKA or BA ⁽³⁾	60h	Write	BA	D0h
Block Lock-Down	2	Write	BKA or BA ⁽³⁾	60h	Write	BA	2Fh

1. X = 'don't care', WA = Word Address in targeted bank, RD = Read Data, SRD = Status Register Data, ESD = Electronic Signature Data, QD = Query Data, BA = Block Address, BKA = Bank Address, PD = Program Data, PRA = Protection Register Address, PRD = Protection Register Data, CRD = Configuration Register Data.

2. Must be same bank as in the first cycle. The signature addresses are listed in [Table 8](#).

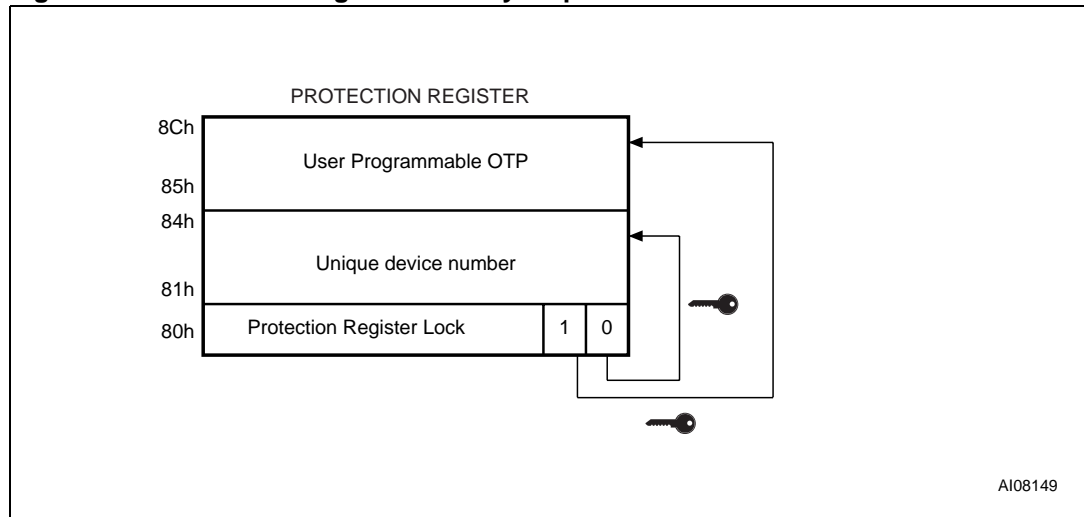
3. Any address within the bank can be used.

Table 8. Electronic signature codes

Code		Address (h)	Data (h)
Manufacturer code		Bank address + 00	0020
Device code	Top	Bank address + 01	8812 (M58WR016KT) 8814 (M58WR032KT) 8810 (M58WR064KT)
	Bottom	Bank address + 01	8813 (M58WR016KB) 8815 (M58WR032KB) 8811 (M58WR064KB)
Block protection	Locked	Block address + 02	0001
	Unlocked		0000
	Locked and locked-down		0003
	Unlocked and locked-down		0002
Reserved		Bank address + 03	Reserved
Configuration Register		Bank address + 05	CR ⁽¹⁾
Protection Register lock	Numonyx factory default	Bank address + 80	0002
	OTP area permanently locked		0000
Protection Register		Bank address + 81 Bank address + 84	Unique device number
		Bank address + 85 Bank address + 8C	OTP Area

1. CR = Configuration Register.

Figure 7. Protection Register memory map



AI08149

6 Command interface - factory program commands

The factory program commands are specifically designed to speed up programming. They require V_{PP} to be at V_{PPH} . Refer to [Table 9: Factory program commands](#) in conjunction with the descriptions in this section.

The use of factory program commands requires certain operating conditions:

- V_{PP} must be set to V_{PPH} .
- V_{DD} must be within operating range.
- Ambient temperature, T_A must be $25^{\circ}\text{C} \pm 5^{\circ}\text{C}$.
- The targeted block must be unlocked.

6.1 Double Word Program command

The Double Word Program command improves the programming throughput by writing a page of two adjacent words in parallel. The two words must only differ for the address A0.

If the block is protected, then the Double Word Program operation aborts, the data in the block does not change, and the Status Register outputs the error.

V_{PP} must be set to V_{PPH} during Double Word Program, otherwise the command is ignored and the Status Register does not output any error.

Three bus write cycles are necessary to issue the Double Word Program command:

- The first bus cycle sets up the Double Word Program command.
- The second bus cycle latches the address and the data of the first word to be written.
- The third bus cycle latches the address and the data of the second word to be written and starts the Program/Erase Controller.

Read operations in the bank being programmed output the Status Register content after the programming has started.

During double word program operations the bank being programmed only accepts the Read Array, Read Status Register, Read Electronic Signature and Read CFI Query commands; all other commands are ignored. Dual operations are not supported during double word program operations and the command cannot be suspended. Typical program times are given in [Table 18: Program, erase times and endurance cycles](#).

Programming aborts if Reset goes to V_{IL} . As data integrity cannot be guaranteed when the program operation is aborted, the memory locations must be reprogrammed.

See [Appendix C, Figure 24: Double word program flowchart and pseudo code](#) for the flowchart for using the Double Word Program command.

6.2 Quadruple Word Program command

The Quadruple Word Program command improves the programming throughput by writing a page of four adjacent words in parallel. The four words must only differ for the addresses A0 and A1.

V_{PP} must be set to V_{PPH} during Quadruple Word Program, otherwise the command is ignored and the Status Register does not output any error.

If the block is protected, then the Quadruple Word Program operation aborts, the data in the block does not change, and the Status Register outputs the error.

Five bus write cycles are necessary to issue the Quadruple Word Program command:

- The first bus cycle sets up the Double Word Program command.
- The second bus cycle latches the address and the data of the first word to be written.
- The third bus cycle latches the address and the data of the second word to be written.
- The fourth bus cycle latches the address and the data of the third word to be written.
- The fifth bus cycle latches the address and the data of the fourth word to be written and starts the Program/Erase Controller.

Read operations to the bank being programmed output the Status Register content after the programming has started.

Programming aborts if Reset goes to V_{IL} . As data integrity cannot be guaranteed when the program operation is aborted, the memory locations must be reprogrammed.

During Quadruple Word Program operations the bank being programmed only accepts the Read Array, Read Status Register, Read Electronic Signature and Read CFI Query commands; all other commands are ignored.

Dual operations are not supported during quadruple word program operations and the command cannot be suspended. Typical program times are given in [Table 18: Program, erase times and endurance cycles](#).

See [Appendix C, Figure 25: Quadruple word program flowchart and pseudo code](#) for the flowchart for using the Quadruple Word Program command.

6.3 Enhanced Factory Program command

The Enhanced Factory Program command programs large streams of data within any one block. It greatly reduces the total programming time when a large number of words are written to a block at any one time.

Dual operations are not supported during the Enhanced Factory Program operation and the command cannot be suspended.

For optimum performance the Enhanced Factory Program commands should be limited to a maximum of 10 program/erase cycles per block. If this limit is exceeded the internal algorithm continues to work properly but some degradation in performance is possible. Typical program times are given in [Table 18](#)

If the block is protected then the Enhanced Factory Program operation aborts, the data in the block does not change, and the Status Register outputs the error.

The Enhanced Factory Program command has four phases: the setup phase, the program phase to program the data to the memory, the verify phase to check that the data has been correctly programmed and reprogram if necessary and the exit phase. Refer to [Table 9: Factory program commands](#), and [Figure 31: Enhanced factory program flowchart](#).

6.3.1 Setup phase

The Enhanced Factory Program command requires two bus write operations to initiate the command:

- The first bus cycle sets up the Enhanced Factory Program command
- The second bus cycle confirms the command.

The Status Register P/EC bit SR7 should be read to check that the P/EC is ready. After the confirm command is issued, read operations output the Status Register data. The read Status Register command must not be issued or it is interpreted as data to program.

If the second bus cycle is not EFP confirm (D0h), Status Register bits SR4 and SR5 are set and the command aborts.

V_{PP} value must be in the V_{PPH} range during the confirm command, otherwise SR4 and SR3 are set and command are aborted.

6.3.2 Program phase

The program phase requires $n+1$ cycles, where n is the number of words (refer to [Table 9: Factory program commands](#), and [Figure 31: Enhanced factory program flowchart](#)).

Three successive steps are required to issue and execute the program phase of the command:

1. Use one bus write operation to latch the start address and the first word to be programmed, where the start address is the location of the first data to be programmed. The Status Register Bank Write Status bit SR0 should be read to check that the P/EC is ready for the next word.

- Each subsequent word to be programmed is latched with a new bus write operation. The address can either remain the start address, in which case the P/EC increments the address location. Or the address can be incremented, in which case the P/EC jumps to the new address. If any address is given that is not in the same block as the start address, the program phase terminates and the verify phase begins. The Status Register bit SR0 should be read between each bus write cycle to check that the P/EC is ready for the next word.
- Finally, after all words have been programmed, write one bus write operation to any address outside the block containing the start address, to terminate the programming phase.

The memory is now set to enter the verify phase.

6.3.3 Verify phase

The verify phase is similar to the program phase in that all words must be resent to the memory for them to be checked against the programmed data. The Program/Erase Controller checks the stream of data with the data that was programmed in the program phase and reprograms the memory location, if necessary.

Three successive steps are required to execute the verify phase of the command:

- Use one bus write operation to latch the start address and the first word to be verified. The Status Register bit SR0 should be read to check that the Program/Erase Controller is ready for the next word.
- Each subsequent word to be verified is latched with a new bus write operation. The words must be written in the same order as in the program phase. The address can remain the start address or be incremented. If any address that is not in the same block as the start address is given, the verify phase terminates. Status Register bit SR0 should be read to check that the P/EC is ready for the next word.
- Finally, after all words have been verified, write one bus write operation to any address outside the block containing the start address, to terminate the verify phase.

If the verify phase is successfully completed, the memory remains in read Status Register mode. If the Program/Erase Controller fails to reprogram a given location, the error is signaled in the Status Register.

6.3.4 Exit phase

Status Register P/EC bit SR7 set to '1' indicates that the device has returned to read mode. A full Status Register check should be done to ensure that the block has been successfully programmed. See [Section 7: Status Register](#) for more details.

6.4 Quadruple Enhanced Factory Program command

The Quadruple Enhanced Factory Program command programs one or more pages of four adjacent words in parallel. The four words must only differ for the addresses A0 and A1.

V_{PP} must be set to V_{PPH} during the Quadruple Enhanced Factory Program, otherwise the command is ignored and the Status Register does not output any error.

Dual operations are not supported during Quadruple Enhanced Factory Program operations and the command cannot be suspended.

If the block is protected then the Quadruple Enhanced Factory Program operation aborts, the data in the block does not change, and the Status Register outputs the error.

The Quadruple Enhanced Factory Program command has four phases: the setup phase, the load phase where the data is loaded into the buffer, the combined program and verify phase where the loaded data is programmed to the memory and then automatically checked and reprogrammed if necessary and the exit phase. Unlike the Enhanced Factory Program it is not necessary to resubmit the data for the verify phase. The load phase and the program and verify phase can be repeated to program any number of pages within the block.

6.4.1 Setup phase

The Quadruple Enhanced Factory Program command requires one bus write operation to initiate the load phase. After the setup command is issued, read operations output the Status Register data. The Read Status Register command must not be issued or it is interpreted as data to program.

6.4.2 Load phase

The load phase requires 4 cycles to load the data (refer to [Table 9: Factory program commands](#) and [Figure 32: Quadruple enhanced factory program flowchart](#)). Once the first word of each page is written it is impossible to exit the load phase until all four words have been written.

Two successive steps are required to issue and execute the load phase of the Quadruple Enhanced Factory Program command.

1. Use one bus write operation to latch the start address and the first word of the first page to be programmed, where the start address is the location of the first data to be programmed. For subsequent pages the first word address can remain the start address (in which case the next page is programmed) or can be any address in the same block. If any address is given that is not in the same block as the start address, the device enters the exit phase. For the first load phase Status Register bit SR7 should be read after the first word has been issued to check that the command has been accepted (bit SR7 set to '0'). This check is not required for subsequent load phases.
2. Each subsequent word to be programmed is latched with a new bus write operation. The address is only checked for the first word of each page as the order of the words to be programmed is fixed.

The memory is now set to enter the program and verify phase.

6.4.3 Program and verify phase

In the program and verify phase the four words that were loaded in the load phase are programmed in the memory array and then verified by the Program/Erase Controller. If any errors are found, the Program/Erase Controller reprograms the location. During this phase the Status Register shows that the Program/Erase Controller is busy, the Status Register bit SR7 is set to '0', and that the device is not waiting for new data (Status Register bit SR0 set to '1'). When Status Register bit SR0 is set to '0' the program and verify phase has terminated.

Once the verify phase has successfully completed, subsequent pages in the same block can be loaded and programmed. The device returns to the beginning of the load phase by issuing one bus write operation to latch the address and the first of the four new words to be programmed.

6.4.4 Exit phase

Finally, after all the pages have been programmed, write one bus write operation to any address outside the block containing the start address, to terminate the load and program and verify phases.

Status Register bit SR7 set to '1' and bit SR0 set to '0' indicate that the Quadruple Enhanced Factory Program command has terminated. A full Status Register check should be done to ensure that the block has been successfully programmed. See [Section 7: Status Register](#) for more details.

If the program and verify phase has successfully completed the memory returns to read mode. If the P/EC fails to program and reprogram a given location, the error is signaled in the Status Register.

Table 9. Factory program commands

Command	Phase	Cycles	Bus write operations ⁽¹⁾											
			1st		2nd		3rd		Final -1		Final			
			Add	Data	Add	Data	Add	Data	Add	Data	Add	Data		
Double Word Program ⁽²⁾		3	BKA or WA1 ⁽³⁾	35h	WA1	PD1	WA2	PD2						
Quadruple Word Program ⁽⁴⁾		5	BKA or WA1 ⁽³⁾	56h	WA1	PD1	WA2	PD2	WA3	PD3	WA4	PD4		
Enhanced Factory Program ⁽⁵⁾	Setup, Program	2+n+1	BKA or WA1 ⁽³⁾	30h	BA or WA1 ⁽⁶⁾	D0h	WA1 ⁽⁷⁾	PD1	WAn ⁽⁸⁾	PAn	NOT WA1 ⁽⁷⁾			
	Verify, Exit	n+1	WA1 ⁽⁷⁾	PD1	WA2 ⁽⁸⁾	PD2	WA3 ⁽⁸⁾	PD3	WAn ⁽⁸⁾	PAn	NOT WA1 ⁽⁷⁾			
Quadruple Enhanced Factory Program ^{(4),(5)}	Setup, first Load	5	BKA or WA1 ⁽³⁾	75h	WA1 ⁽⁷⁾	PD1	WA2 ⁽⁹⁾	PD2	WA3 ⁽⁹⁾	PD3	WA4 ⁽⁹⁾	PD4		
	First Program & Verify		Automatic											
	Subsequent Loads	4	WA1i ⁽⁷⁾	PD1i	WA2i ⁽⁹⁾	PD2i	WA3i ⁽⁹⁾	PD3i			WA4i ⁽⁹⁾	PD4i		
	Subsequent Program & Verify		Automatic											
	Exit	1	NOT WA1 ⁽⁷⁾											

1. WA = Word Address in targeted bank, BKA = Bank Address, PD = Program Data, BA = Block Address.
2. Word addresses 1 and 2 must be consecutive Addresses differing only for A0.
3. Any address within the bank can be used.
4. Word addresses 1,2,3 and 4 must be consecutive addresses differing only for A0 and A1.
5. A bus read must be done between each write cycle where the data is programmed or verified to read the Status Register and check that the memory is ready to accept the next data. n = number of words, i = number of pages to be programmed.
6. Any address within the block can be used.
7. WA1 is the start address. NOT WA1 is any address that is not in the same block as WA1.
8. Address can remain starting address WA1 or be incremented.
9. Address is only checked for the first word of each page as the order to program the words in each page is fixed so subsequent words in each page can be written to any address.

7 Status Register

The Status Register provides information on the current or previous program or erase operations. Issue a Read Status Register command to read the contents of the Status Register (refer to [Section 5.2: Read Status Register command](#) for more details). To output the contents, the Status Register is latched and updated on the falling edge of the Chip Enable or Output Enable signals and can be read until Chip Enable or Output Enable returns to V_{IH} . The Status Register can only be read using single asynchronous or single synchronous reads. Bus read operations from any address within the bank always read the Status Register during Program and Erase operations, as long as no Read Array command has been issued.

The various bits convey information about the status and any errors of the operation. Bits SR7, SR6, SR2 and SR0 provide information on the status of the device and are set and reset by the device. Bits SR5, SR4, SR3 and SR1 provide information on errors. They are set by the device but must be reset by issuing a Clear Status Register command or a hardware reset. If an error bit is set to '1' the Status Register should be reset before issuing another command. SR7 to SR1 refer to the status of the device while SR0 refers to the status of the addressed bank.

The bits in the Status Register are summarized in [Table 10: Status Register bits](#). Refer to [Table 10](#) in conjunction with the descriptions in the following sections.

7.1 Program/Erase Controller status bit (SR7)

The Program/Erase Controller status bit indicates whether the Program/Erase Controller is active or inactive in any bank. When the Program/Erase Controller status bit is Low (set to '0'), the Program/Erase Controller is active; when the bit is High (set to '1'), the Program/Erase Controller is inactive, and the device is ready to process a new command.

The Program/Erase Controller status is Low immediately after a Program/Erase Suspend command is issued until the Program/Erase Controller pauses. After the Program/Erase Controller pauses the bit is High.

During program and erase operations the Program/Erase Controller status bit can be polled to find the end of the operation. Other bits in the Status Register should not be tested until the Program/Erase Controller completes the operation and the bit is High.

After the Program/Erase Controller completes its operation the erase status, program status, V_{PP} status and block lock status bits should be tested for errors.

7.2 Erase suspend status bit (SR6)

The erase suspend status bit indicates that an erase operation has been suspended or is going to be suspended in the addressed block. When the erase suspend status bit is High (set to '1'), a Program/Erase Suspend command has been issued and the memory is waiting for a Program/Erase Resume command.

The erase suspend status should only be considered valid when the Program/Erase Controller status bit is High (Program/Erase Controller inactive). SR7 is set within the erase suspend latency time of the Program/Erase Suspend command being issued, therefore, the memory may still complete the operation rather than entering the suspend mode.

When a Program/Erase Resume command is issued the erase suspend status bit returns Low.

7.3 Erase status bit (SR5)

The erase status bit identifies if the memory has failed to verify that the block has erased correctly. When the erase status bit is High (set to '1'), the Program/Erase Controller has applied the maximum number of pulses to the block and still failed to verify that it has erased correctly. The erase status bit should be read once the Program/Erase Controller status bit is High (Program/Erase Controller inactive).

Once set High, the erase status bit can only be reset Low by a Clear Status Register command or a hardware reset. If set High it should be reset before a new program or erase command is issued, otherwise the new command appears to fail.

7.4 Program status bit (SR4)

The program status bit identifies a program failure or an attempt to program a '1' to an already programmed bit when $V_{PP} = V_{PPH}$.

When the program status bit is High (set to '1'), the Program/Erase Controller has applied the maximum number of pulses to the byte and still failed to verify that it has programmed correctly.

After an attempt to program a '1' to an already programmed bit, the program status bit SR4 only goes High (set to '1') if $V_{PP} = V_{PPH}$ (if V_{PP} is different from V_{PPH} , SR4 remains Low (set to '0') and the attempt is not shown).

The program status bit should be read once the Program/Erase Controller status bit is High (Program/Erase Controller inactive).

Once set High, the program status bit can only be reset Low by a Clear Status Register command or a hardware reset. If set High it should be reset before a new command is issued, otherwise the new command appears to fail.

7.5 V_{PP} status bit (SR3)

The V_{PP} status bit identifies an invalid voltage on the V_{PP} pin during program and erase operations. The V_{PP} pin is only sampled at the beginning of a program or erase operation. Indeterminate results can occur if V_{PP} becomes invalid during an operation.

When the V_{PP} status bit is Low (set to '0'), the voltage on the V_{PP} pin was sampled at a valid voltage. When the V_{PP} status bit is High (set to '1'), the V_{PP} pin has a voltage that is below the V_{PP} lockout voltage, V_{PP_LK}, the memory is protected and program and erase operations cannot be performed.

Once set High, the V_{PP} status bit can only be reset Low by a Clear Status Register command or a hardware reset. If set High it should be reset before a new program or erase command is issued, otherwise the new command appears to fail.

7.6 Program suspend status bit (SR2)

The program suspend status bit indicates that a program operation has been suspended in the addressed block. When the program suspend status bit is High (set to '1'), a Program/Erase Suspend command has been issued and the memory is waiting for a Program/Erase Resume command. The program suspend status should only be considered valid when the Program/Erase Controller status bit is High (Program/Erase Controller inactive). SR2 is set within the program suspend latency time of the Program/Erase Suspend command being issued, therefore, the memory may still complete the operation rather than entering the suspend mode.

When a Program/Erase Resume command is issued, the program suspend status bit returns Low.

7.7 Block protection status bit (SR1)

The block protection status bit can be used to identify if a program or block erase operation has tried to modify the contents of a locked or locked-down block.

When the block protection status bit is High (set to '1'), a program or erase operation has been attempted on a locked or locked-down block.

Once set High, the block protection status bit can only be reset Low by a Clear Status Register command or a hardware reset. If set High it should be reset before a new command is issued, otherwise the new command appears to fail.

7.8 Bank write/multiple word program status bit (SR0)

The bank write status bit indicates whether the addressed bank is programming or erasing. In enhanced factory program mode the multiple word program bit shows if a word has finished programming or verifying depending on the phase. The bank write status bit should only be considered valid when the Program/Erase Controller status SR7 is Low (set to '0').

When both the Program/Erase Controller status bit and the bank write status bit are Low (set to '0'), the addressed bank is executing a program or erase operation. When the Program/Erase Controller status bit is Low (set to '0') and the bank write status bit is High (set to '1'), a program or erase operation is being executed in a bank other than the one being addressed.

In enhanced factory program mode if the multiple word program status bit is Low (set to '0'), the device is ready for the next word. If the multiple word program status bit is High (set to '1') the device is not ready for the next word.

Refer to [Appendix C: Flowcharts and pseudo codes](#) for using the Status Register.

Table 10. Status Register bits

Bit	Name	Type	Logic level ⁽¹⁾	Definition	
SR7	P/EC status	Status	'1'	Ready	
			'0'	Busy	
SR6	Erase suspend status	Status	'1'	Erase suspended	
			'0'	Erase in progress or completed	
SR5	Erase status	Error	'1'	Erase error	
			'0'	Erase success	
SR4	Program status	Error	'1'	Program error	
			'0'	Program success	
SR3	V _{PP} status	Error	'1'	V _{PP} invalid, abort	
			'0'	V _{PP} OK	
SR2	Program suspend status	Status	'1'	Program suspended	
			'0'	Program in progress or completed	
SR1	Block protection status	Error	'1'	Program/erase on protected block, abort	
			'0'	No operation to protected blocks	
SR0	Bank write status	Status	'1'	SR7 = '1'	Not allowed
				SR7 = '0'	Program or erase operation in a bank other than the addressed bank
			'0'	SR7 = '1'	No program or erase operation in the device
				SR7 = '0'	Program or erase operation in addressed bank
	Multiple word program status (enhanced factory program mode)	Status	'1'	SR7 = '1'	Not allowed
				SR7 = '0'	The device is NOT ready for the next word
			'0'	SR7 = '1'	The device is exiting EFP
				SR7 = '0'	The device is ready for the next word

1. Logic level '1' is High, '0' is Low.

8 Configuration Register

The Configuration Register configures the type of bus access that the memory performs. Refer to [Section 9: Read modes](#) for details on read operations.

The Configuration Register is set through the command interface. After a reset or power-up the device is configured for asynchronous page read (CR15 = 1). The Configuration Register bits are described in [Table 12](#). They specify the selection of the burst length, burst type, burst X latency, and the Read operation. Refer to [Figures 8 and 9](#) for examples of synchronous burst configurations.

8.1 Read select bit (CR15)

The read select bit, CR15, switches between asynchronous and synchronous bus read operations. When the read select bit is set to '1', read operations are asynchronous; when the read select bit is set to '0', read operations are synchronous. Synchronous burst read is supported in both parameter and main blocks and can be performed across banks.

On reset or power-up the read select bit is set to '1' for asynchronous access.

8.2 X-latency bits (CR13-CR11)

The X-latency bits are used during synchronous read operations to set the number of clock cycles between the address being latched and the first data becoming available. For correct operation the X-latency bits can only assume the values in [Table 12: Configuration Register](#).

[Table 11](#) shows how to set the X-latency parameter, taking into account the speed class of the device and the frequency used to read the Flash memory in synchronous mode.

Table 11. Latency settings

fmax	t _K min	X-latency min
30 MHz	33 ns	2
40 MHz	25 ns	3
54 MHz	19 ns	4
66 MHz	15 ns	4

8.3 Wait polarity bit (CR10)

In synchronous burst mode the Wait signal indicates whether the output data are valid or a WAIT state must be inserted. The wait polarity bit is used to set the polarity of the Wait signal. When the wait polarity bit is set to '0' the Wait signal is active Low. When the wait polarity bit is set to '1' the Wait signal is active High.

8.4 Data output configuration bit (CR9)

The Data Output Configuration bit determines whether the output remains valid for one or two clock cycles. When the data output configuration bit is '0' the output data is valid for one clock cycle. When the data output configuration bit is '1' the output data is valid for two clock cycles.

The data output configuration depends on the condition:

$$t_K > t_{KQV} + t_{QVK_CPU}$$

where t_K is the clock period, t_{QVK_CPU} is the data setup time required by the system CPU and t_{KQV} is the clock to data valid time. If this condition is not satisfied, the data output configuration bit should be set to '1' (two clock cycles). Refer to [Figure 8: X-latency and data output configuration example](#).

8.5 Wait Configuration Bit (CR8)

In burst mode the Wait bit controls the timing of the Wait output pin, WAIT. When WAIT is asserted, data is not valid and when WAIT is de-asserted, data is valid. When the Wait bit is '0' the Wait output pin is asserted during the wait state. When the Wait bit is '1' the Wait output pin is asserted one clock cycle before the wait state.

8.6 Burst type bit (CR7)

The burst type bit configures the sequence of addresses read as sequential or interleaved. When the burst type bit is '0' the memory outputs from interleaved addresses. When the burst type bit is '1' the memory outputs from sequential addresses. See [Table 13: Burst type definition](#) for the sequence of addresses output from a given starting address in each mode.

8.7 Valid clock edge bit (CR6)

The valid clock edge bit, CR6, configures the active edge of the Clock, K, during synchronous burst read operations. When the valid clock edge bit is '0' the falling edge of the Clock is the active edge. When the Valid Clock Edge bit is '1' the rising edge of the Clock is active.

8.8 Wrap burst bit (CR3)

The burst reads can be confined inside the 4 or 8-word boundary (wrap) or overcome the boundary (no wrap). The wrap burst bit selects between wrap and no wrap. When the wrap burst bit is set to '0' the burst read wraps; when it is set to '1' the burst read does not wrap.

8.9 Burst length bits (CR2-CR0)

The burst length bits set the number of words to be output during a synchronous burst read operation as result of a single address latch cycle. They can be set for 4 words, 8 words, 16 words or continuous burst, where all the words are read sequentially.

In continuous burst mode the burst sequence can cross bank boundaries.

In continuous burst mode or in 4, 8, 16 words no-wrap, depending on the starting address, the device asserts the WAIT output to indicate that a delay is necessary before the data is output.

If the starting address is aligned to a 4 word boundary no wait states are needed and the WAIT output is not asserted.

If the starting address is shifted by 1, 2 or 3 positions from the 4-word boundary, WAIT is asserted for 1, 2 or 3 clock cycles when the burst sequence crosses the first 16 word boundary to indicate that the device needs an internal delay to read the successive words in the array. WAIT is asserted only once during a continuous burst access. See also [Table 13: Burst type definition](#).

CR14, CR5 and **CR4** are reserved for future use.

Table 12. Configuration Register

Bit	Description	Value	Description
CR15	Read select	0	Synchronous read
		1	Asynchronous read (default at power-on)
CR14	Reserved		
CR13-CR11	X-latency	010	2 clock latency
		011	3 clock latency
		100	4 clock latency
		101	5 clock latency
		111	Reserved (default)
		Other configurations reserved	
CR10	Wait polarity	0	WAIT is active Low
		1	WAIT is active High (default)
CR9	Data output configuration	0	Data held for one clock cycle
		1	Data held for two clock cycles (default)
CR8	Wait configuration	0	WAIT is active during wait state
		1	WAIT is active one data cycle before wait state (default)
CR7	Burst type	0	Interleaved
		1	Sequential (default)
CR6	Valid clock edge	0	Falling Clock edge
		1	Rising Clock edge (default)
CR5-CR4	Reserved		
CR3	Wrap burst	0	Wrap
		1	No wrap (default)
CR2-CR0	Burst length	001	4 words
		010	8 words
		011	16 words
		111	Continuous (CR7 must be set to '1') (default)

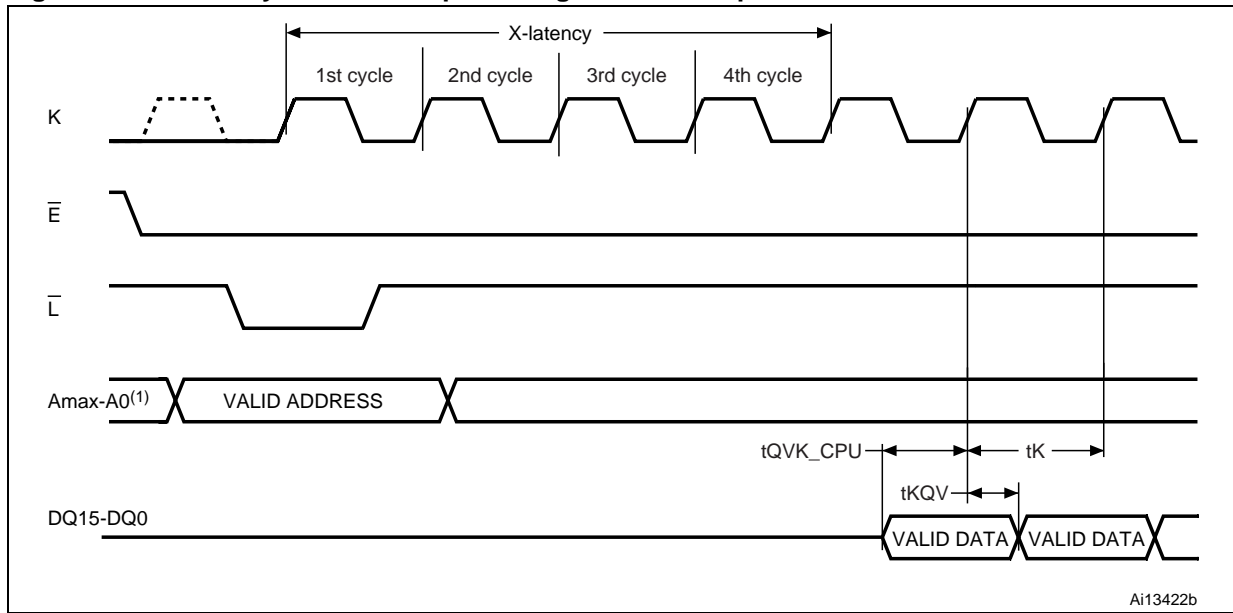
Table 13. Burst type definition

Mode	Start add	4 words		8 words		16 words		Continuous burst	
		Sequential	Interleaved	Sequential	Interleaved	Sequential	Interleaved		
Wrap	0	0-1-2-3	0-1-2-3	0-1-2-3-4-5-6-7	0-1-2-3-4-5-6-7	0-1-2-3-4-5-6-7-8-9-10-11-12-13-14-15	0-1-2-3-4-5-6-7-8-9-10-11-12-13-14-15	0-1-2-3-4-5-6...	
	1	1-2-3-0	1-0-3-2	1-2-3-4-5-6-7-0	1-0-3-2-5-4-7-6	1-2-3-4-5-6-7-8-9-10-11-12-13-14-15-0	1-0-3-2-5-4-7-6-9-8-11-10-13-12-15-14	1-2-3-4-5-6-7-...15-WAIT-16-17-18...	
	2	2-3-0-1	2-3-0-1	2-3-4-5-6-7-0-1	2-3-0-1-6-7-4-5	2-3-4-5-6-7-8-9-10-11-12-13-14-15-0-1	2-3-0-1-6-7-4-5-10-11-8-9-14-15-12-13	2-3-4-5-6-7...15-WAIT-WAIT-16-17-18...	
	3	3-0-1-2	3-2-1-0	3-4-5-6-7-0-1-2	3-2-1-0-7-6-5-4	3-4-5-6-7-8-9-10-11-12-13-14-15-0-1-2	3-2-1-0-7-6-5-4-11-10-9-8-15-14-13-12	3-4-5-6-7...15-WAIT-WAIT-WAIT-16-17-18...	
	...								
	7	7-4-5-6	7-6-5-4	7-0-1-2-3-4-5-6	7-6-5-4-3-2-1-0	7-8-9-10-11-12-13-14-15-0-1-2-3-4-5-6	7-6-5-4-3-2-1-0-15-14-13-12-11-10-9-8	7-8-9-10-11-12-13-14-15-WAIT-WAIT-WAIT-16-17...	
	...								
	12								12-13-14-15-16-17-18...
	13								13-14-15-WAIT-16-17-18...
	14								14-15-WAIT-WAIT-16-17-18....
15								15-WAIT-WAIT-WAIT-16-17-18...	

Table 13. Burst type definition (continued)

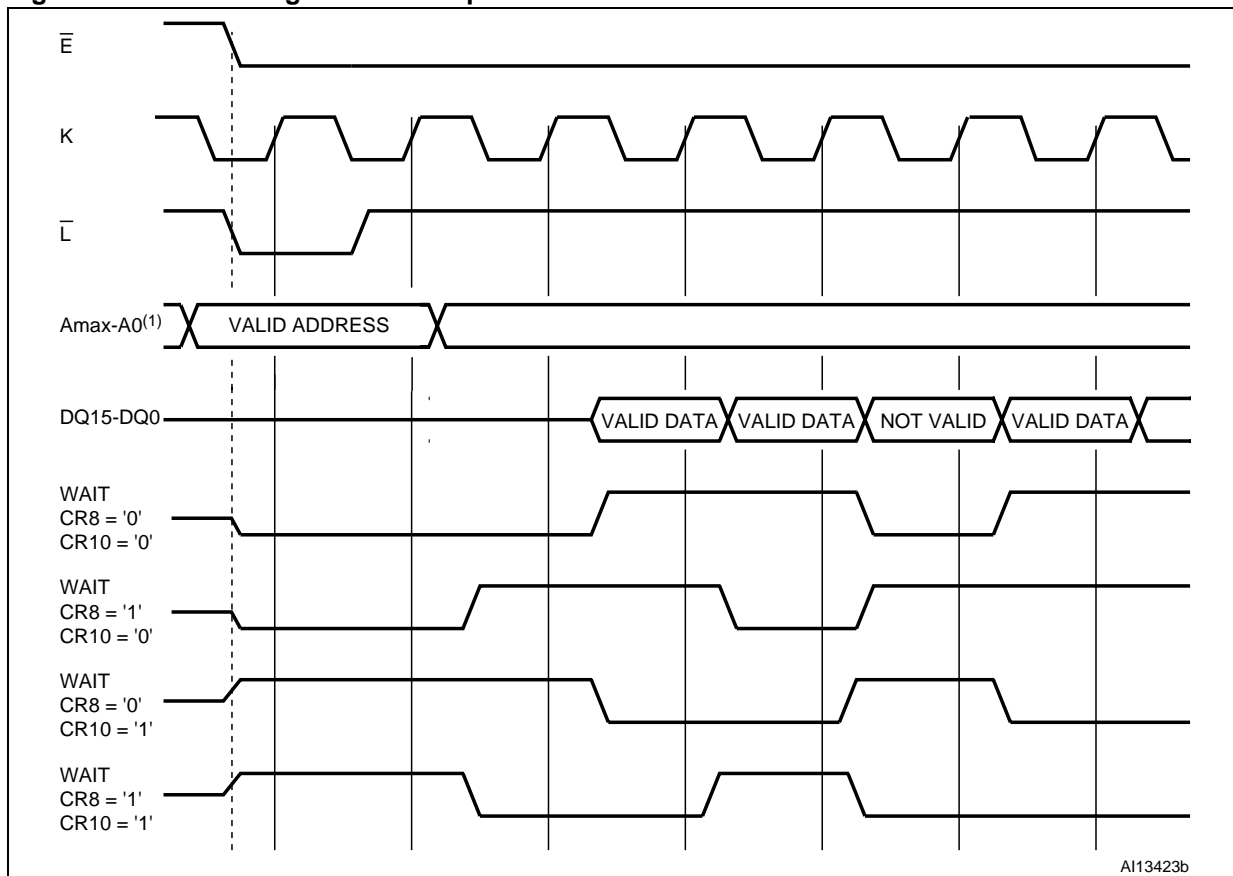
Mode	Start add	4 words		8 words		16 words		Continuous burst
		Sequential	Interleaved	Sequential	Interleaved	Sequential	Interleaved	
No-wrap	0	0-1-2-3		0-1-2-3-4-5-6-7		0-1-2-3-4-5-6-7-8-9-10-11-12-13-14-15		Same as for Wrap (Wrap /No Wrap has no effect on Continuous Burst)
	1	1-2-3-4		1-2-3-4-5-6-7-8		1-2-3-4-5-6-7-8-9-10-11-12-13-14-15-WAIT-16		
	2	2-3-4-5		2-3-4-5-6-7-8-9...		2-3-4-5-6-7-8-9-10-11-12-13-14-15-WAIT-WAIT-16-17		
	3	3-4-5-6		3-4-5-6-7-8-9-10		3-4-5-6-7-8-9-10-11-12-13-14-15-WAIT-WAIT-WAIT-16-17-18		
	...							
	7	7-8-9-10		7-8-9-10-11-12-13-14		7-8-9-10-11-12-13-14-15-WAIT-WAIT-WAIT-16-17-18-19-20-21-22		
	...							
	12	12-13-14-15		12-13-14-15-16-17-18-19		12-13-14-15-16-17-18-19-20-21-22-23-24-25-26-27		
	13	13-14-15-WAIT-16		13-14-15-WAIT-16-17-18-19-20		13-14-15-WAIT-16-17-18-19-20-21-22-23-24-25-26-27-28		
	14	14-15-WAIT-WAIT-16-17		14-15-WAIT-WAIT-16-17-18-19-20-21		14-15-WAIT-WAIT-16-17-18-19-20-21-22-23-24-25-26-27-28-29		
15	15-WAIT-WAIT-WAIT-16-17-18		15-WAIT-WAIT-WAIT-16-17-18-19-20-21-22		15-WAIT-WAIT-WAIT-16-17-18-19-20-21-22-23-24-25-26-27-28-29-30			

Figure 8. X-latency and data output configuration example



1. Amax is equal to A19 in the M58WR016KT/B, to A20 in the M58WR032KT/B and, to A21 in the M58WR064KT/B.
2. Settings shown: X-latency = 4, data output held for one clock cycle.

Figure 9. Wait configuration example



1. Amax is equal to A19 in the M58WR016KT/B, to A20 in the M58WR032KT/B and, to A21 in the M58WR064KT/B.

9 Read modes

Read operations can be performed in two different ways depending on the settings in the Configuration Register. If the clock signal is 'don't care' for the data output, the read operation is asynchronous. If the data output is synchronized with clock, the read operation is synchronous.

The read mode and data output format are determined by the Configuration Register (see [Section 8: Configuration Register](#) for details). All banks supports both asynchronous and synchronous read operations. The multiple bank architecture allows read operations in one bank, while write operations are being executed in another (see [Tables 14 and 15](#)).

9.1 Asynchronous read mode

In asynchronous read operations the clock signal is 'don't care'. The device outputs the data corresponding to the address latched, that is the memory array, Status Register, common Flash interface or electronic signature, depending on the command issued. CR15 in the Configuration Register must be set to '1' for asynchronous operations.

In asynchronous read mode a page of data is internally read and stored in a page buffer. The page has a size of 4 words and is addressed by A0 and A1 address inputs. The address inputs A0 and A1 are not gated by Latch Enable in asynchronous read mode.

The first read operation within the page has a longer access time (T_{acc} , random access time), and subsequent reads within the same page have much shorter access times. If the page changes then the normal, longer timings apply again.

Asynchronous read operations can be performed in two different ways, Asynchronous random access read and asynchronous page read. Only asynchronous page read takes full advantage of the internal page storage so different timings are applied.

During asynchronous read operations, after a bus inactivity of 150 ns, the device automatically switches to automatic standby mode. In this condition the power consumption is reduced to the standby value and the outputs are still driven.

In asynchronous read mode, the WAIT signal is always asserted.

See [Table 24: Asynchronous read AC characteristics](#), [Figure 12: Asynchronous random access read AC waveforms](#) and [Figure 13: Asynchronous page read AC waveforms](#) for details.

9.2 Synchronous burst read mode

In synchronous burst read mode the data is output in bursts synchronized with the clock. It is possible to perform burst reads across bank boundaries.

Synchronous burst read mode can only be used to read the memory array. For other read operations, such as read Status Register, read CFI, and read electronic signature, single synchronous read or asynchronous random access read must be used.

In synchronous burst read mode the flow of the data output depends on parameters that are configured in the Configuration Register.

A burst sequence is started at the first clock edge (rising or falling depending on valid clock edge bit CR6 in the Configuration Register) after the falling edge of Latch Enable or Chip Enable, whichever occurs last. Addresses are internally incremented and after a delay of 2 to 5 clock cycles (X latency bits CR13-CR11) the corresponding data is output on each clock cycle.

The number of words to be output during a synchronous burst read operation can be configured as 4, 8, 16 words, or continuous (burst length bits CR2-CR0). The data can be configured to remain valid for one or two clock cycles (data output configuration bit CR9).

The order of the data output can be modified through the burst type and the wrap burst bits in the Configuration Register. The burst sequence may be configured to be sequential or interleaved (CR7). The burst reads can be confined inside the 4, 8 or 16 word boundary (wrap) or overcome the boundary (no wrap). If the starting address is aligned to the burst length (4, 8 or 16 words) the wrapped configuration has no impact on the output sequence. Interleaved mode is not allowed in continuous burst read mode or with no wrap sequences.

A WAIT signal may be asserted to indicate to the system that an output delay occurs. This delay depends on the starting address of the burst sequence. The worst case delay occurs when the sequence is crossing a 16-word boundary and the starting address was at the end of a four word boundary.

WAIT is asserted during X latency, the Wait state, and at the end of 4-, 8- or 16-word burst. It is only de-asserted when output data are valid. In continuous burst read mode a Wait state occurs when crossing the first 16-word boundary. If the burst starting address is aligned to a 4-word page, the Wait state does not occur.

The WAIT signal can be configured to be active Low or active High by setting CR10 in the Configuration Register. The WAIT signal is meaningful only in synchronous burst read mode. In other modes, WAIT is always asserted (except for read array mode).

See [Table 25: Synchronous read AC characteristics](#) and [Figure 14: Synchronous burst read AC waveforms](#) for details.

9.3 Synchronous burst read suspend

A synchronous burst read operation can be suspended, freeing the data bus for other higher priority devices. It can be suspended during the initial access latency time (before data is output), or after the device has output data. When the synchronous burst read operation is suspended, internal array sensing continues and any previously latched internal data is retained. A burst sequence can be suspended and resumed as often as required as long as the operating conditions of the device are met.

A synchronous burst read operation is suspended when \overline{E} is low and the current address has been latched (on a Latch Enable rising edge or on a valid clock edge). The clock signal is then halted at V_{IH} or at V_{IL} , and \overline{G} goes high.

When \overline{G} becomes low again and the clock signal restarts, the synchronous burst read operation is resumed exactly where it stopped.

WAIT being gated by \overline{E} remains active and does not revert to high-impedance when \overline{G} goes high. Therefore, if two or more devices are connected to the system's READY signal, to prevent bus contention the WAIT signal of the Flash memory should not be directly connected to the system's READY signal.

See [Table 25: Synchronous read AC characteristics](#) and [Figure 16: Synchronous burst read suspend AC waveforms](#) for details.

9.4 Single synchronous read mode

Single synchronous read operations are similar to synchronous burst read operations except that only the first data output after the X latency is valid. Synchronous single reads are used to read the electronic signature, Status Register, CFI, block protection status, Configuration Register status or Protection Register status. When the addressed bank is in read CFI, read Status Register or read electronic signature mode, the WAIT signal is always asserted.

See [Table 25: Synchronous read AC characteristics](#) and [Figure 15: Single synchronous read AC waveforms](#) for details.

10 Dual operations and multiple bank architecture

The multiple bank architecture of the M58WRxxxKT/B provides flexibility for software developers by allowing code and data to be split with 4 Mbit granularity. The dual operations feature simplifies the software management of the device and allows code to be executed from one bank while another bank is being programmed or erased.

The dual operations feature means that while programming or erasing in one bank, read operations are possible in another bank with zero latency (only one bank at a time is allowed to be in program or erase mode). If a Read operation is required in a bank that is programming or erasing, the program or erase operation can be suspended. Also, if the suspended operation is erase then a program command can be issued to another block. This means the device can have one block in erase suspend mode, one programming, and other banks in read mode. Bus read operations are allowed in another bank between setup and confirm cycles of program or erase operations. The combination of these features means that read operations are possible at any moment.

Dual operations between the parameter bank and either the CFI, OTP, or the electronic signature memory space are not allowed. [Table 16](#), however, shows dual operations that are allowed between the CFI, OTP, electronic signature locations, and the memory array.

Tables [14](#) and [15](#) show the dual operations possible in other banks and in the same bank. For a complete list of possible commands refer to [Appendix D: Command interface state tables](#).

Table 14. Dual operations allowed in other banks

Status of bank	Commands allowed in another bank							
	Read Array	Read Status Register	Read CFI Query	Read Electronic Signature	Program	Block Erase	Program/ Erase Suspend	Program/ Erase Resume
Idle	Yes	Yes	Yes	Yes	Yes	Yes	Yes	Yes
Programming	Yes	Yes	Yes	Yes	–	–	Yes	–
Erasing	Yes	Yes	Yes	Yes	–	–	Yes	–
Program suspended	Yes	Yes	Yes	Yes	–	–	–	Yes
Erase suspended	Yes	Yes	Yes	Yes	Yes	–	–	Yes

Table 15. Dual operations allowed in same bank

Status of bank	Commands allowed in same bank							
	Read Array	Read Status Register	Read CFI Query	Read Electronic Signature	Program	Block Erase	Program/Erase Suspend	Program/Erase Resume
Idle	Yes	Yes	Yes	Yes	Yes	Yes	Yes	Yes
Programming	– ⁽²⁾	Yes	Yes	Yes	–	–	Yes	–
Erasing	– ⁽²⁾	Yes	Yes	Yes	–	–	Yes	–
Program suspended	Yes ⁽¹⁾	Yes	Yes	Yes	–	–	–	Yes
Erase suspended	Yes ⁽¹⁾	Yes	Yes	Yes	Yes ⁽¹⁾	–	–	Yes

1. Not allowed in the block or word that is being erased or programmed.
2. The Read Array command is accepted but the data output is no guaranteed until the program or erase has completed.

Table 16. Dual operation limitations

Current status	Commands allowed				
	Read CFI / OTP / Electronic Signature	Read Parameter Blocks	Read Main Blocks		
			Located in parameter bank	Not located in parameter bank	
Programming/erasing parameter blocks	No	No	No	Yes	
Programming/erasing main blocks	Located in parameter bank	Yes	No	No	Yes
	Not located in parameter bank	Yes	Yes	Yes	In different bank only
Programming OTP	No	No	No	No	

11 Block locking

The M58WRxxxKT/B features an instant, individual block locking scheme that enables any block to be locked or unlocked with no latency. This locking scheme has three levels of protection.

- Lock/unlock - this first level allows software-only control of block locking.
- Lock-down - this second level requires hardware interaction before locking can be changed.
- $V_{PP} \leq V_{PPLK}$ - the third level offers a complete hardware protection against program and erase on all blocks.

The protection status of each block can be set to locked, unlocked, and lock-down. [Table 17](#), defines all of the possible protection states (\overline{WP} , DQ1, DQ0), and [Appendix C](#), [Figure 29](#), shows a flowchart for the locking operations.

11.1 Reading a block's lock status

The lock status of every block can be read in the read electronic signature mode of the device. To enter this mode write 90h to the device. Subsequent reads at the address specified in [Table 8](#) output the protection status of that block. The lock status is represented by DQ0 and DQ1. DQ0 indicates the block lock/unlock status and is set by the Lock command and cleared by the Unlock command. It is also automatically set when entering lock-down. DQ1 indicates the lock-down status and is set by the Lock-Down command. It cannot be cleared by software, only by a hardware reset or power-down.

The following sections explain the operation of the locking system.

11.2 Locked state

The default status of all blocks on power-up or after a hardware reset is locked (states (0,0,1) or (1,0,1)). Locked blocks are fully protected from any program or erase. Any program or erase operations attempted on a locked block returns an error in the Status Register. The status of a locked block can be changed to unlocked or lock-down using the appropriate software commands. An unlocked block can be locked by issuing the Lock command.

11.3 Unlocked state

Unlocked blocks (states (0,0,0), (1,0,0) (1,1,0)), can be programmed or erased. All unlocked blocks return to the locked state after a hardware reset or when the device is powered-down. The status of an unlocked block can be changed to locked or locked-down using the appropriate software commands. A locked block can be unlocked by issuing the Unlock command.

11.4 Lock-down state

Blocks that are locked-down (state (0,1,x)) are protected from program and erase operations (as for locked blocks) but their protection status cannot be changed using software commands alone. A locked or unlocked block can be locked-down by issuing the Lock-Down command. Locked-down blocks revert to the locked state when the device is reset or powered-down.

The lock-down function is dependent on the \overline{WP} input pin. When $\overline{WP}=0$ (V_{IL}), the blocks in the lock-down state (0,1,x) are protected from program, erase and protection status changes. When $\overline{WP}=1$ (V_{IH}) the lock-down function is disabled (1,1,x) and locked-down blocks can be individually unlocked to the (1,1,0) state by issuing the software command, where they can be erased and programmed. These blocks can then be re-locked (1,1,1) and unlocked (1,1,0) as desired while \overline{WP} remains high. When \overline{WP} is Low, blocks that were previously locked-down return to the lock-down state (0,1,x) regardless of any changes made while \overline{WP} was High. Device reset or power-down resets all blocks, including those in lock-down, to the locked state.

11.5 Locking operations during erase suspend

Changes to block lock status can be performed during an erase suspend by using the standard locking command sequences to unlock, lock or lock down a block. This is useful in the case when another block needs to be updated while an erase operation is in progress.

To change block locking during an erase operation, first write the Erase Suspend command, then check the status register until it indicates that the erase operation has been suspended. Next, write the desired lock command sequence to a block and the lock status changes. After completing any desired lock, read, or program operations, resume the erase operation with the Erase Resume command.

If a block is locked or locked down during an erase suspend of the same block, the locking status bits change immediately. But when the erase is resumed, the erase operation completes. Locking operations cannot be performed during a program suspend. Refer to [Appendix D: Command interface state tables](#) for detailed information on which commands are valid during erase suspend.

Table 17. Lock status

Current protection status ⁽¹⁾ (\overline{WP} , DQ1, DQ0)		Next protection status ⁽¹⁾ (\overline{WP} , DQ1, DQ0)			
Current state	Program/erase allowed	After Block Lock command	After Block Unlock command	After Block Lock-Down command	After \overline{WP} transition
1,0,0	yes	1,0,1	1,0,0	1,1,1	0,0,0
1,0,1 ⁽²⁾	no	1,0,1	1,0,0	1,1,1	0,0,1
1,1,0	yes	1,1,1	1,1,0	1,1,1	0,1,1
1,1,1	no	1,1,1	1,1,0	1,1,1	0,1,1
0,0,0	yes	0,0,1	0,0,0	0,1,1	1,0,0
0,0,1 ⁽²⁾	no	0,0,1	0,0,0	0,1,1	1,0,1
0,1,1	no	0,1,1	0,1,1	0,1,1	1,1,1 or 1,1,0 ⁽³⁾

1. The lock status is defined by the write protect pin and by DQ1 ('1' for a locked-down block) and DQ0 ('1' for a locked block) as read in the Read Electronic Signature command with $A1 = V_{IH}$ and $A0 = V_{IL}$.
2. All blocks are locked at power-up, so the default configuration is 001 or 101 according to \overline{WP} status.
3. A \overline{WP} transition to V_{IH} on a locked block restores the previous DQ0 value, giving a 111 or 110.

12 Program and erase times and endurance cycles

The program and erase times and the number of program/ erase cycles per block are shown in [Table 18](#). Exact erase times may change depending on the memory array condition. The best case is when all the bits in the block or bank are at '0' (preprogrammed). The worst case is when all the bits in the block or bank are at '1' (not preprogrammed). Usually, the system overhead is negligible with respect to the erase time. In the M58WRxxxKT/B the maximum number of program/ erase cycles depends on the V_{PP} voltage supply used.

Table 18. Program, erase times and endurance cycles⁽¹⁾

Parameter		Condition	Min	Typ	Typical after 100 k W/E cycles	Max	Unit	
$V_{PP} = V_{DD}$	Erase	Parameter block (4 Kword) ⁽²⁾		0.3	1	2.5	s	
		Main block (32 Kword)	Preprogrammed		0.8	3	4	s
			Not preprogrammed		1		4	s
	Program ⁽³⁾	Word		12	12	100	μ s	
		Parameter block (4 Kword)		40			ms	
		Main block (32 Kword)		300			ms	
	Suspend latency	Program		5		10	μ s	
		Erase		5		20	μ s	
Program/Erase Cycles (per Block)	Main blocks		100 000				cycles	
	Parameter blocks		100 000				cycles	
$V_{PP} = V_{PPH}$	Erase	Parameter block (4 Kword)		0.25		2.5	s	
		Main block (32 Kword)		0.8		4	s	
	Program ⁽³⁾	Word/ double word/ quadruple word ⁽⁴⁾			10		100	μ s
		Parameter block (4 Kword)	Quad-enhanced factory		11			ms
			Enhanced factory		45			ms
			Quadruple word ⁽⁴⁾		10			ms
			Word		40			ms
		Main block (32 Kword)	Quad-enhanced factory		94			ms
			Enhanced factory		360			ms
			Quadruple word ⁽⁴⁾		80			ms
			Word		328			ms
		Bank (4 Mbit)	Quad-enhanced factory ⁽⁴⁾		0.75			s
	Quadruple word ⁽⁴⁾			0.65			s	
	Program/erase cycles (per block)	Main blocks					1000	cycles
Parameter blocks						2500	cycles	

1. $T_A = -40$ to 85 °C; $V_{DD} = V_{DDQ} = 1.7$ V to 2 V.

2. The difference between preprogrammed and not preprogrammed is not significant (< 30 ms).

3. Values are liable to change with the external system-level overhead (command sequence and Status Register polling execution).

4. Measurements performed at 25°C. $T_A = 30$ °C ± 10 °C for quadruple word, double word and quadruple enhanced factory program.

13 Maximum ratings

Stressing the device above the ratings listed in [Table 19: Absolute maximum ratings](#) may cause permanent damage to the device. These are stress ratings only and operation of the device at these or any other conditions above those indicated in the operating sections of this specification is not implied. Exposure to absolute maximum rating conditions for extended periods may affect device reliability. Refer also to the Numonyx SURE Program and other relevant quality documents.

Table 19. Absolute maximum ratings

Symbol	Parameter	Value		Unit
		Min	Max	
T_A	Ambient operating temperature	-40	85	°C
T_{BIAS}	Temperature under bias	-40	125	°C
T_{STG}	Storage temperature	-65	155	°C
V_{IO}	Input or output voltage	-0.5	$V_{DDQ} + 0.6$	V
V_{DD}	Supply voltage	-0.2	2.45	V
V_{DDQ}	Input/output supply voltage	-0.2	2.45	V
V_{PP}	Program voltage	-0.2	10	V
I_O	Output short circuit current		100	mA
t_{VPPH}	Time for V_{PP} at V_{PPH}		100	hours

14 DC and AC parameters

This section summarizes the operating measurement conditions, and the DC and AC characteristics of the device. The parameters in the DC and AC characteristics tables in this section are derived from tests performed under the measurement conditions summarized in [Table 20: Operating and AC measurement conditions](#). Designers should check that the operating conditions in their circuit match the operating conditions when relying on the quoted parameters.

Table 20. Operating and AC measurement conditions

Parameter	Min	Max	Unit
V_{DD} supply voltage	1.7	2	V
V_{DDQ} supply voltage	1.7	2	V
V_{PP} supply voltage (factory environment)	8.5	9.5	V
V_{PP} supply voltage (application environment)	-0.4	$V_{DDQ}+0.4$	V
Ambient operating temperature	-40	85	°C
Load capacitance (C_L)	30		pF
Input rise and fall times	5		ns
Input pulse voltages	0 to V_{DDQ}		V
Input and output timing ref. voltages	$V_{DDQ}/2$		V

Figure 10. AC measurement I/O waveform

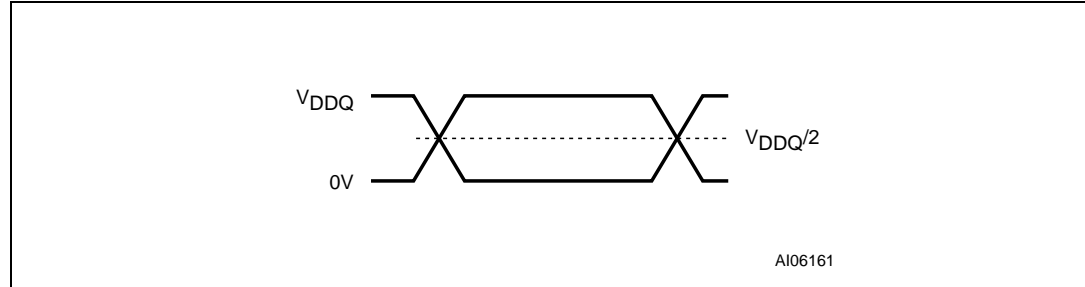


Figure 11. AC measurement load circuit

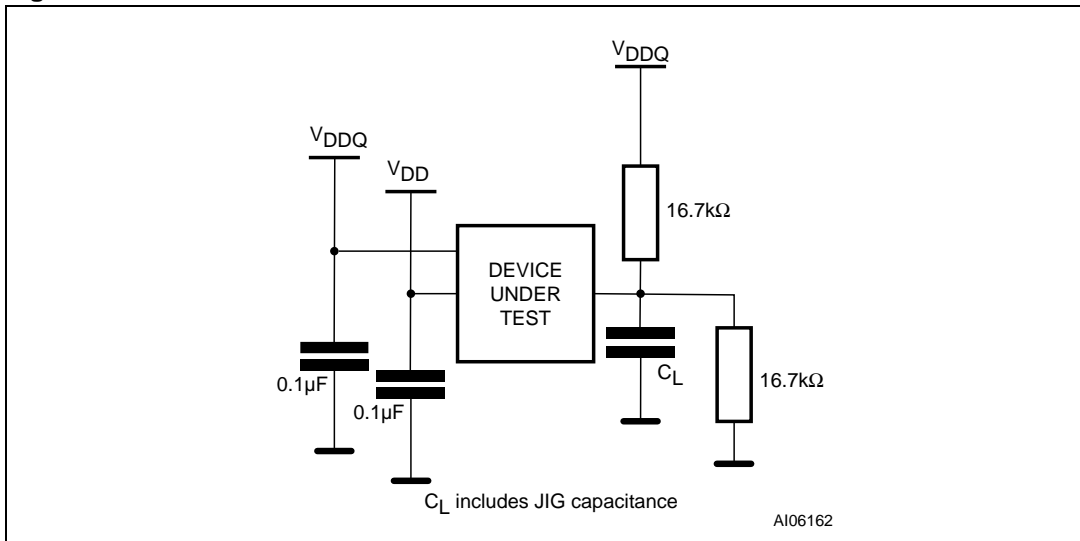


Table 21. Capacitance⁽¹⁾

Symbol	Parameter	Test condition	Min	Max	Unit
C _{IN}	Input capacitance	V _{IN} = 0 V	6	8	pF
C _{OUT}	Output capacitance	V _{OUT} = 0 V	8	12	pF

1. Sampled only, not 100% tested.

Table 22. DC characteristics - currents

Symbol	Parameter	Test condition	Min	Typ	Max	Unit
I_{LI}	Input leakage current	$0V \leq V_{IN} \leq V_{DDQ}$			± 1	μA
I_{LO}	Output leakage current	$0V \leq V_{OUT} \leq V_{DDQ}$			± 1	μA
I_{DD1}	Supply current asynchronous read (f = 5 MHz)	$\bar{E} = V_{IL}, \bar{G} = V_{IH}$		10	20	mA
	Supply current synchronous Read (f = 66 MHz)	4 word		11	20	mA
		8 word		13	22	mA
		16 word		15	27	mA
	Continuous		17	30	mA	
I_{DD2}	Supply current (reset)	$\bar{RP} = V_{SS} \pm 0.2 V$		15	50	μA
I_{DD3}	Supply current (standby)	$\bar{E} = V_{DDQ} \pm 0.2 V,$ $K = V_{SS}$		15	50	μA
I_{DD4}	Supply current (automatic standby)	$\bar{E} = V_{IL}, \bar{G} = V_{IH}$		15	50	μA
$I_{DD5}^{(1)}$	Supply current (program)	$V_{PP} = V_{PPH}$		8	15	mA
		$V_{PP} = V_{DD}$		5	40	mA
	Supply current (erase)	$V_{PP} = V_{PPH}$		8	15	mA
		$V_{PP} = V_{DD}$		10	40	mA
$I_{DD6}^{(1)(2)}$	Supply current (dual operations)	Erase in one bank, asynchronous read in another bank		20	60	mA
		Erase in one bank, synchronous read (continuous burst 66 MHz) in another bank		27	70	mA
$I_{DD7}^{(1)}$	Supply current program/ erase suspended (standby)	$\bar{E} = V_{DDQ} \pm 0.2 V,$ $K = V_{SS}$		15	50	μA
$I_{PP1}^{(1)}$	V_{PP} supply current (program)	$V_{PP} = V_{PPH}$		2	10	mA
		$V_{PP} = V_{DD}$		0.2	5	μA
	V_{PP} supply current (erase)	$V_{PP} = V_{PPH}$		2	10	mA
		$V_{PP} = V_{DD}$		0.2	5	μA
I_{PP2}	V_{PP} supply current (read)	$V_{PP} = V_{PPH}$		100	400	μA
		$V_{PP} \leq V_{DD}$		0.2	5	μA
$I_{PP3}^{(1)}$	V_{PP} supply current (standby)	$V_{PP} \leq V_{DD}$		0.2	5	μA

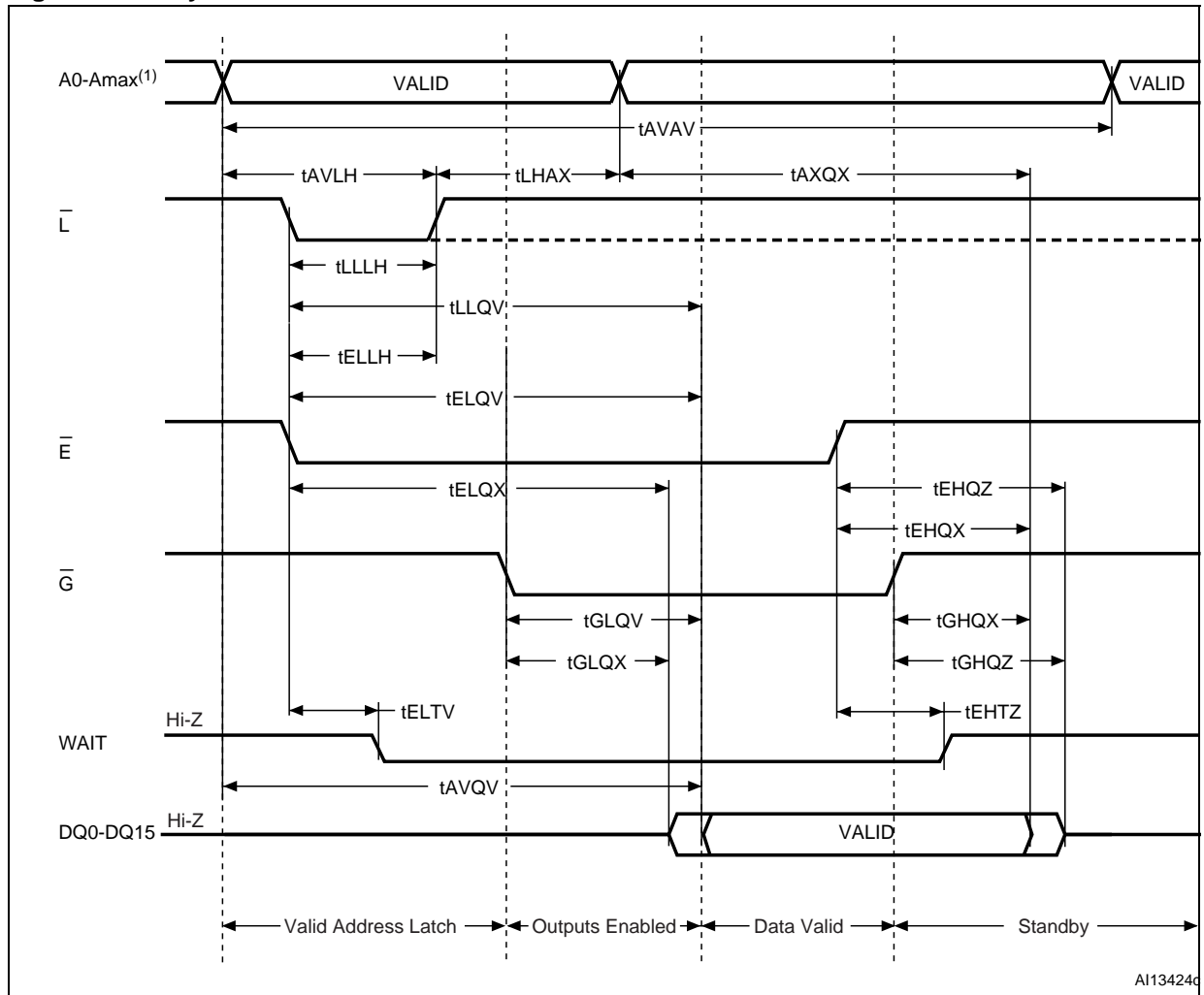
1. Sampled only, not 100% tested.

2. V_{DD} dual operation current is the sum of read and program or erase currents.

Table 23. DC characteristics - voltages

Symbol	Parameter	Test condition	Min	Typ	Max	Unit
V_{IL}	Input low voltage		-0.5		0.4	V
V_{IH}	Input high voltage		$V_{DDQ} - 0.4$		$V_{DDQ} + 0.4$	V
V_{OL}	Output low voltage	$I_{OL} = 100 \mu A$			0.1	V
V_{OH}	Output high voltage	$I_{OH} = -100 \mu A$	$V_{DDQ} - 0.1$			V
V_{PP1}	V_{PP} program voltage-logic	Program, erase	1.3		2.4	V
V_{PPH}	V_{PP} program voltage factory	Program, erase	8.5	9	9.5	V
V_{PPLK}	Program or erase lockout				0.4	V
V_{LKO}	V_{DD} lock voltage				1	V

Figure 12. Asynchronous random access read AC waveforms



1. Amax is equal to A19 in the M58WR016KT/B, to A20 in the M58WR032KT/B and, to A21 in the M58WR064KT/B.
2. Write Enable, \bar{W} , is High, WAIT is active Low.

Figure 13. Asynchronous page read AC waveforms

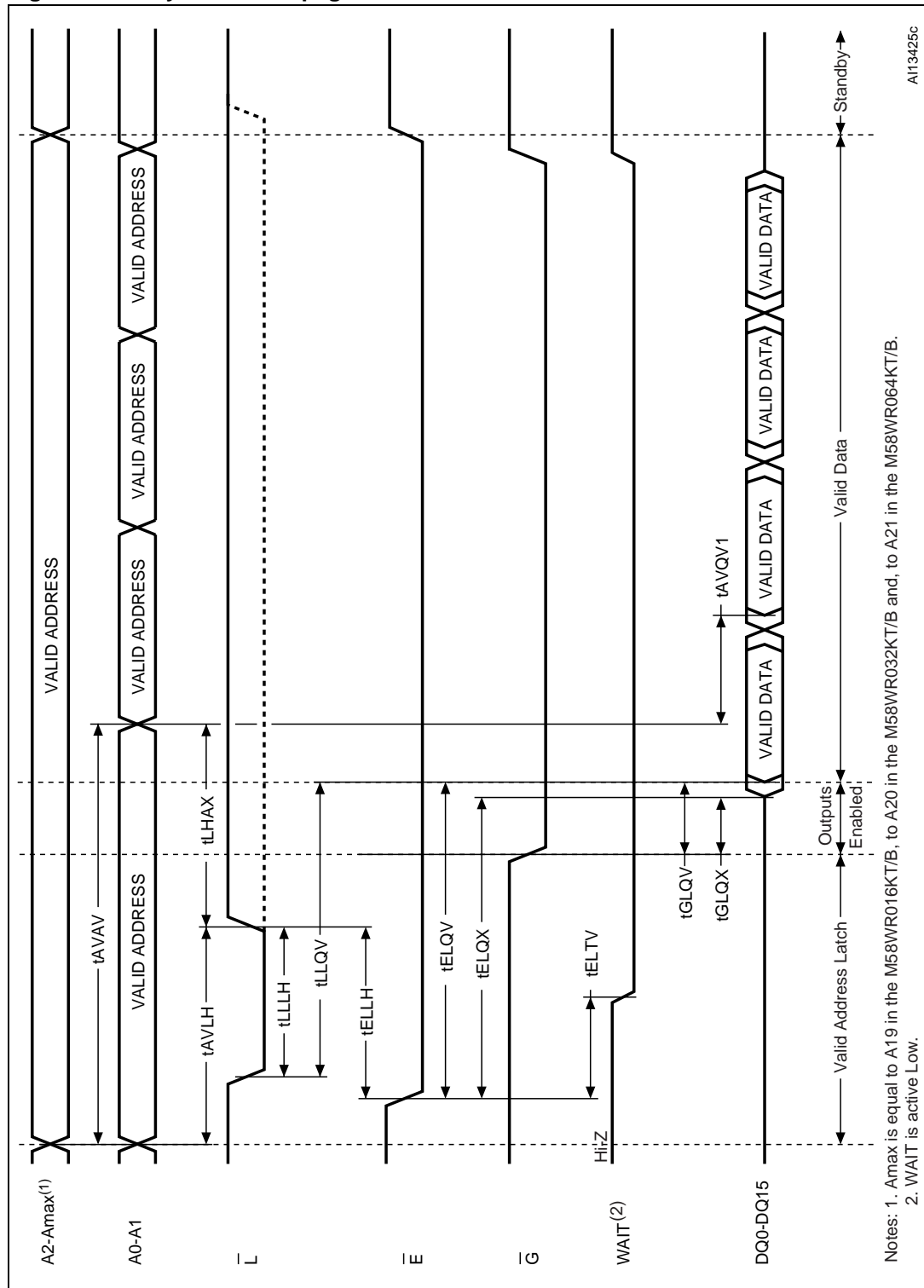


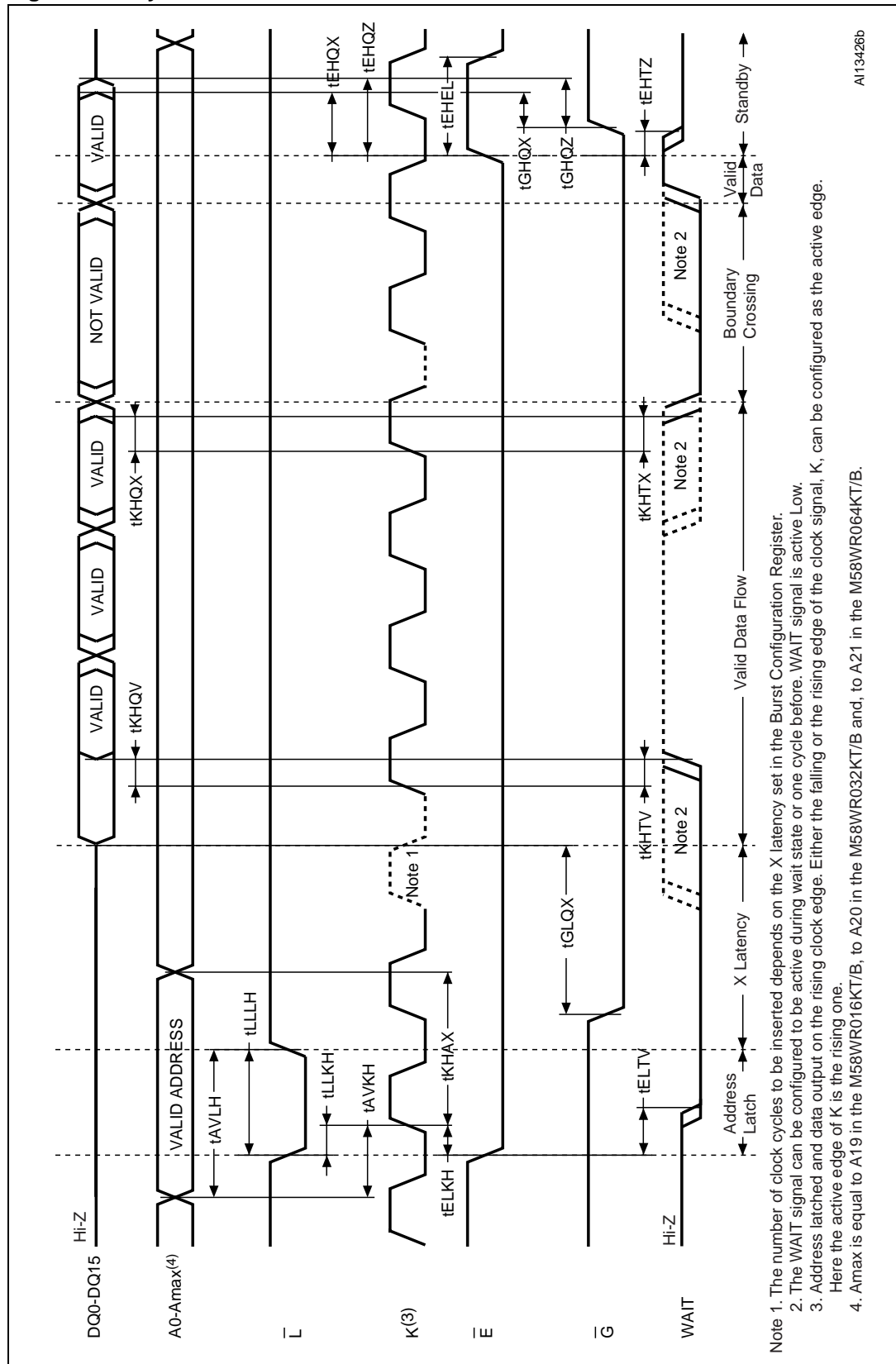
Table 24. Asynchronous read AC characteristics

Symbol	Alt	Parameter	Value	Unit		
Read Timings	t_{AVAV}	t_{RC}	Address Valid to Next Address Valid	Min	70	ns
	t_{AVQV}	t_{ACC}	Address Valid to Output Valid (Random)	Max	70	ns
	t_{AVQV1}	t_{PAGE}	Address Valid to Output Valid (page)	Max	20	ns
	$t_{AXQX}^{(1)}$	t_{OH}	Address Transition to Output Transition	Min	0	ns
	t_{ELTV}		Chip Enable Low to Wait Valid	Max	14	ns
	$t_{ELQV}^{(2)}$	t_{CE}	Chip Enable Low to Output Valid	Max	70	ns
	$t_{ELQX}^{(1)}$	t_{LZ}	Chip Enable Low to Output Transition	Min	0	ns
	t_{EHTZ}		Chip Enable High to Wait Hi-Z	Max	17	ns
	$t_{EHQX}^{(1)}$	t_{OH}	Chip Enable High to Output Transition	Min	0	ns
	$t_{EHQZ}^{(1)}$	t_{HZ}	Chip Enable High to Output Hi-Z	Max	17	ns
	$t_{GLQV}^{(2)}$	t_{OE}	Output Enable Low to Output Valid	Max	20	ns
	$t_{GLQX}^{(1)}$	t_{OLZ}	Output Enable Low to Output Transition	Min	0	ns
	$t_{GHQX}^{(1)}$	t_{OH}	Output Enable High to Output Transition	Min	0	ns
	$t_{GHQZ}^{(1)}$	t_{DF}	Output Enable High to Output Hi-Z	Max	14	ns
Latch Timings	t_{AVLH}	t_{AVADVH}	Address Valid to Latch Enable High	Min	9	ns
	t_{ELLH}	t_{ELADVH}	Chip Enable Low to Latch Enable High	Min	10	ns
	t_{LHAX}	t_{ADVHAX}	Latch Enable High to Address Transition	Min	9	ns
	t_{LLLH}	$t_{ADVLADVH}$	Latch Enable Pulse Width	Min	9	ns
	t_{LLQV}	t_{ADVLQV}	Latch Enable Low to Output Valid (Random)	Max	70	ns

1. Sampled only, not 100% tested.

2. \bar{G} may be delayed by up to $t_{ELQV} - t_{GLQV}$ after the falling edge of \bar{E} without increasing t_{ELQV} .

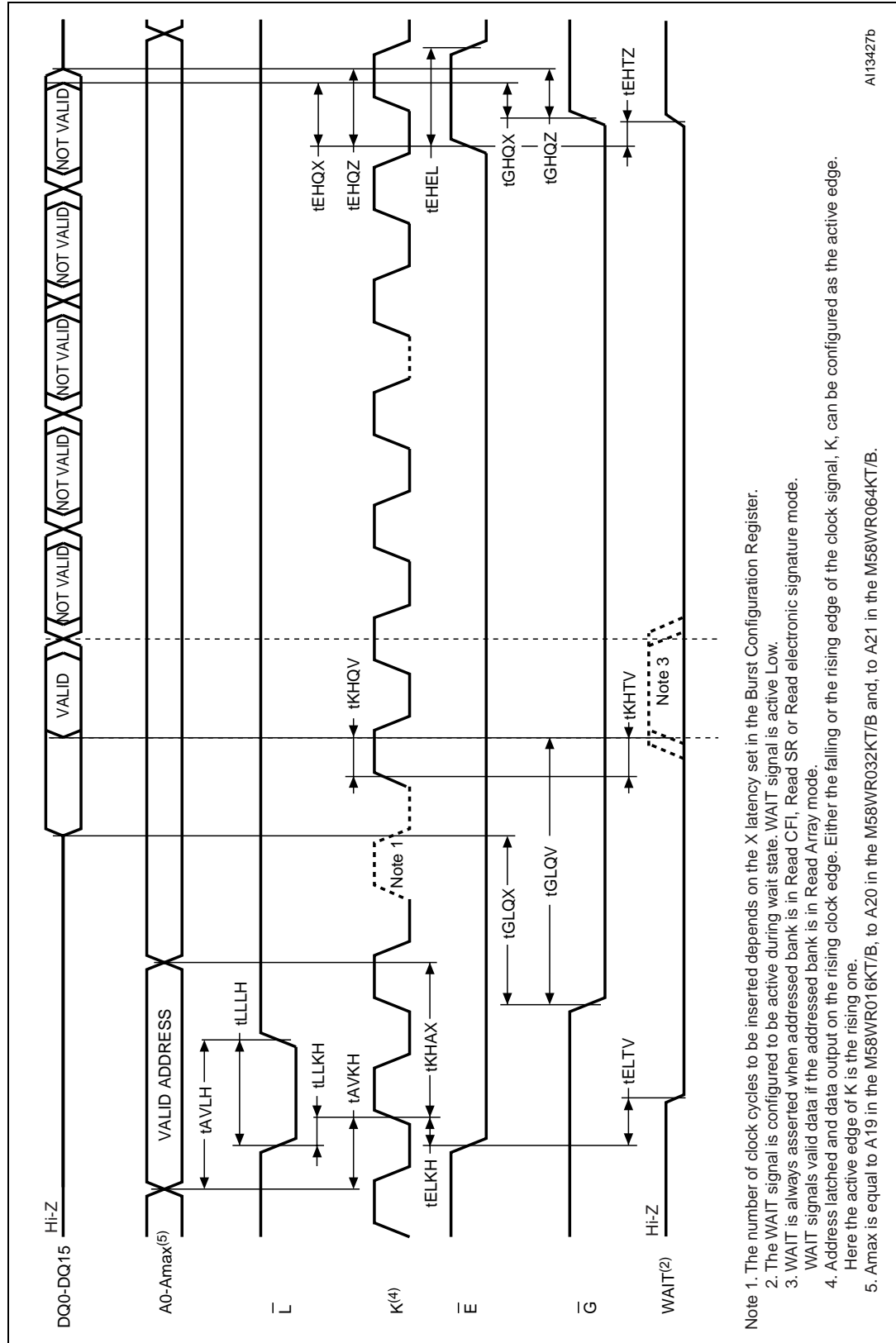
Figure 14. Synchronous burst read AC waveforms



Note 1. The number of clock cycles to be inserted depends on the X latency set in the Burst Configuration Register.
 2. The WAIT signal can be configured to be active during wait state or one cycle before. WAIT signal is active Low.
 3. Address latched and data output on the rising clock edge. Either the falling or the rising edge of the clock signal, K, can be configured as the active edge. Here the active edge of K is the rising one.
 4. Amax is equal to A19 in the M58WR016KT/B, to A20 in the M58WR032KT/B and, to A21 in the M58WR064KT/B.

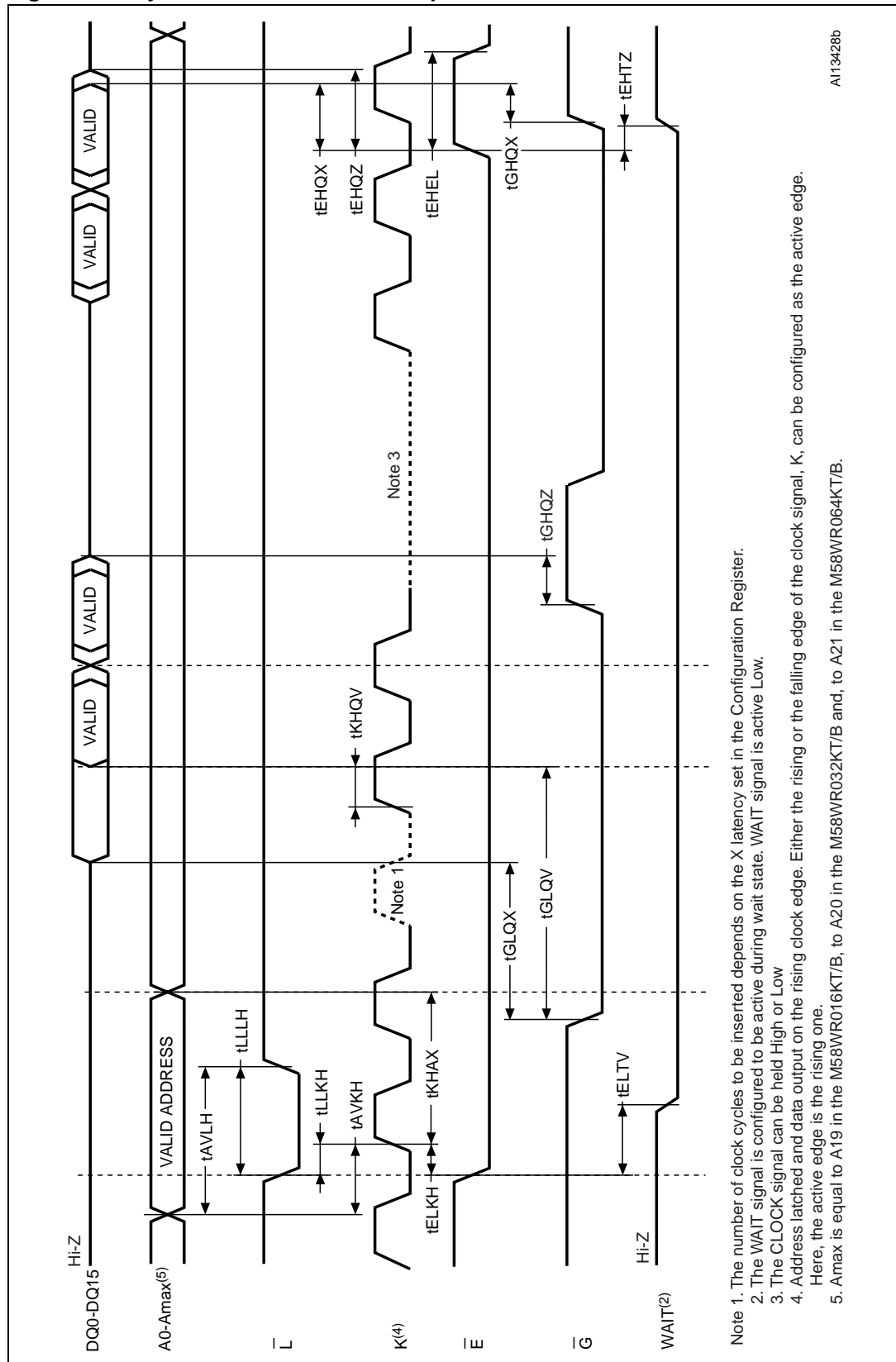
A113426b

Figure 15. Single synchronous read AC waveforms



A113427b

Figure 16. Synchronous burst read suspend AC waveforms



A113428b

Figure 17. Clock input AC waveform

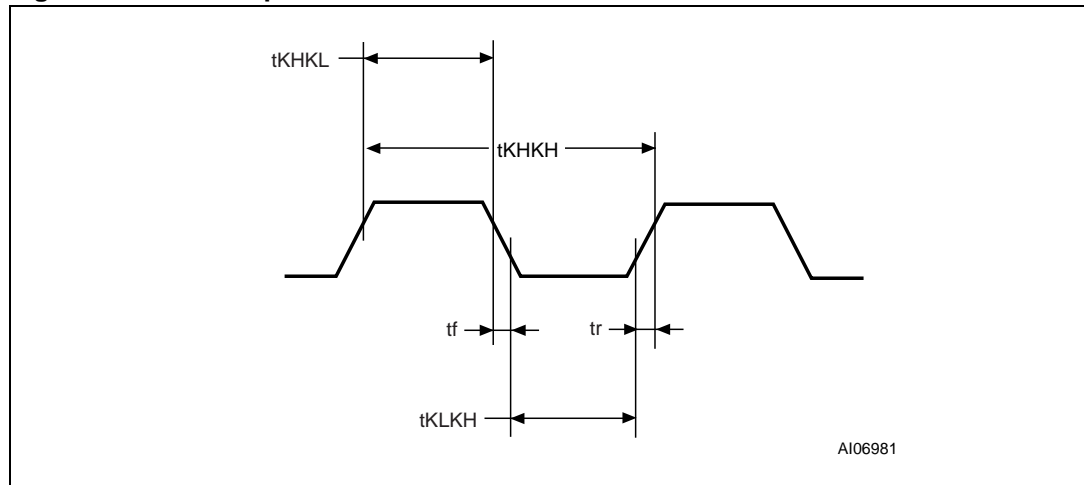


Table 25. Synchronous read AC characteristics^{(1) (2)}

Symbol		Alt	Parameter	Value	Unit
Synchronous read timings	t _{AVKH}	t _{AVCLKH}	Address Valid to Clock High	Min	9 ns
	t _{ELKH}	t _{ELCLKH}	Chip Enable Low to Clock High	Min	9 ns
	t _{ELTV}		Chip Enable Low to Wait Valid	Max	14 ns
	t _{EHEL}		Chip Enable Pulse Width (subsequent synchronous reads)	Min	14 ns
	t _{EHTZ}		Chip Enable High to Wait Hi-Z	Max	14 ns
	t _{KHAX}	t _{CLKHAX}	Clock High to Address Transition	Min	9 ns
	t _{KHQV} t _{KHTV}	t _{CLKHQV}	Clock High to Output Valid Clock High to WAIT Valid	Max	11 ns
	t _{KHQX} t _{KHTX}	t _{CLKHQX}	Clock High to Output Transition Clock High to WAIT Transition	Min	3 ns
	t _{LLKH}	t _{ADVLCLKH}	Latch Enable Low to Clock High	Min	9 ns
Clock specifications	t _{KHKH}	t _{CLK}	Clock Period (f=66MHz)	Min	15 ns
	t _{KHKL} t _{KLKH}		Clock High to Clock Low Clock Low to Clock High	Min	4.5 ns
	t _f t _r		Clock Fall or Rise Time	Max	3 ns

1. Sampled only, not 100% tested.
2. For other timings please refer to [Table 24: Asynchronous read AC characteristics](#).

Figure 18. Write AC waveforms, Write Enable controlled

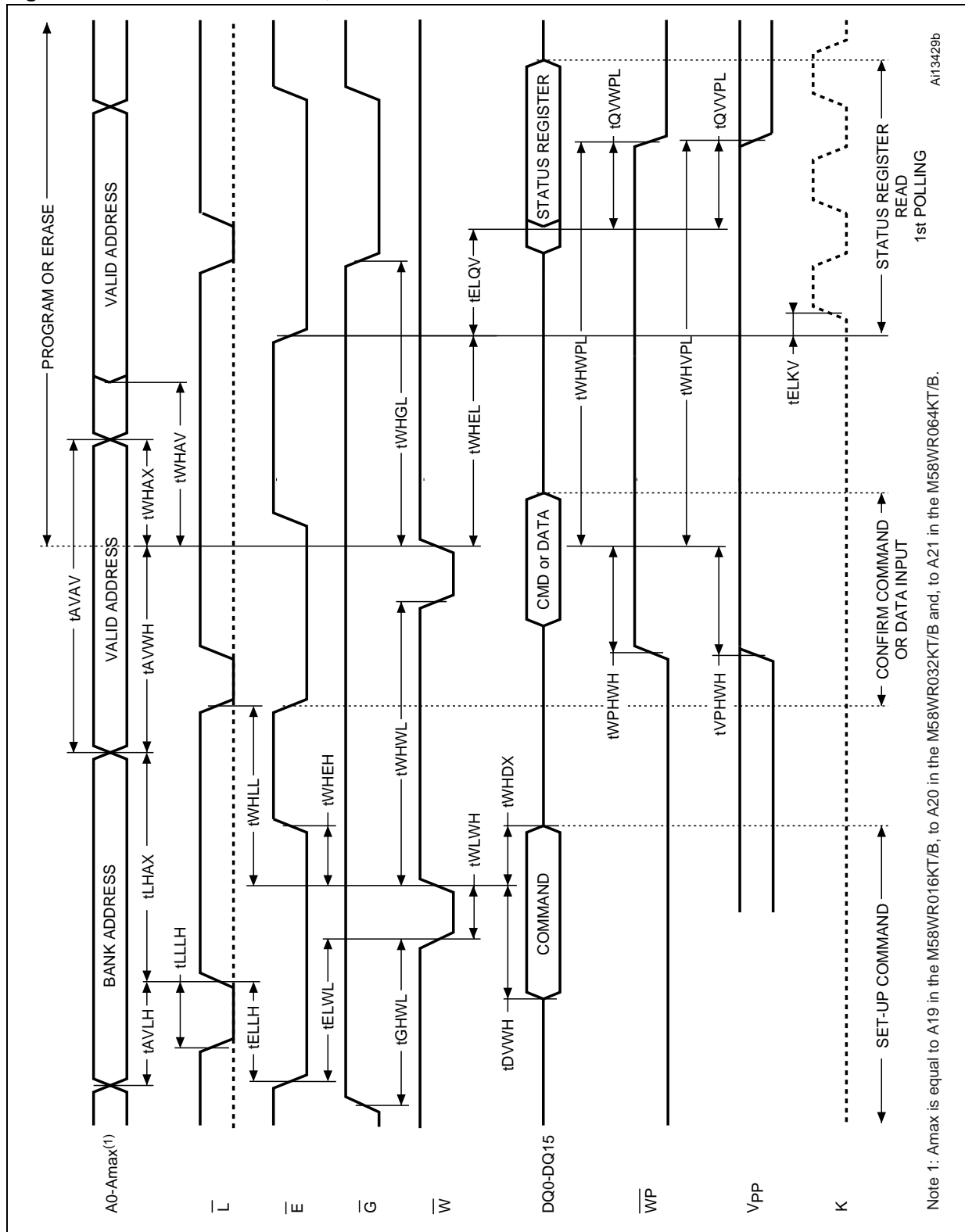


Table 26. Write AC characteristics, Write Enable controlled⁽¹⁾

Symbol	Alt	Parameter	Value	Unit
Write Enable controlled timings	t_{AVAV}	t_{WC} Address Valid to Next Address Valid	Min 70	ns
	t_{AVLH}	Address Valid to Latch Enable High	Min 9	ns
	$t_{AVWH}^{(2)}$	Address Valid to Write Enable High	Min 45	ns
	t_{DVWH}	t_{DS} Data Valid to Write Enable High	Min 45	ns
	t_{ELLH}	Chip Enable Low to Latch Enable High	Min 10	ns
	t_{ELWL}	t_{CS} Chip Enable Low to Write Enable Low	Min 0	ns
	t_{ELQV}	Chip Enable Low to Output Valid	Min 70	ns
	t_{ELKV}	Chip Enable Low to Clock Valid	Min 9	ns
	t_{GHWL}	Output Enable High to Write Enable Low	Min 17	ns
	t_{LHAX}	Latch Enable High to Address Transition	Min 9	ns
	t_{LLLH}	Latch Enable Pulse Width	Min 9	ns
	$t_{WHAV}^{(2)}$	Write Enable High to Address Valid	Min 0	ns
	$t_{WHAX}^{(2)}$	t_{AH} Write Enable High to Address Transition	Min 0	ns
	t_{WHDX}	t_{DH} Write Enable High to Input Transition	Min 0	ns
	t_{WHEH}	t_{CH} Write Enable High to Chip Enable High	Min 0	ns
	$t_{WHEL}^{(3)}$	Write Enable High to Chip Enable Low	Min 25	ns
	t_{WHGL}	Write Enable High to Output Enable Low	Min 0	ns
	$t_{WHLL}^{(3)}$	Write Enable High to Latch Enable Low	Min 25	ns
	t_{WHWL}	t_{WPH} Write Enable High to Write Enable Low	Min 25	ns
t_{WLWH}	t_{WP} Write Enable Low to Write Enable High	Min 45	ns	
Protection timings	t_{QVVPL}	Output (Status Register) Valid to V_{PP} Low	Min 0	ns
	t_{QVWPL}	Output (Status Register) Valid to Write Protect Low	Min 0	ns
	t_{VPHWH}	t_{VPS} V_{PP} High to Write Enable High	Min 200	ns
	t_{WHVPL}	Write Enable High to V_{PP} Low	Min 200	ns
	t_{WHWPL}	Write Enable High to Write Protect Low	Min 200	ns
	t_{WPHWH}	Write Protect High to Write Enable High	Min 200	ns

1. Sampled only, not 100% tested.

2. Meaningful only if \bar{L} is always kept low.

3. t_{WHEL} and t_{WHLL} have this value when reading in the targeted bank or when reading following a Set Configuration Register command. System designers should take this into account and may insert a software No-Op instruction to delay the first read in the same bank after issuing any command and to delay the first read to any address after issuing a Set Configuration Register command. If the first read after the command is a Read Array operation in a different bank and no changes to the Configuration Register have been issued, t_{WHEL} and t_{WHLL} are 0ns.

Figure 19. Write AC waveforms, Chip Enable controlled

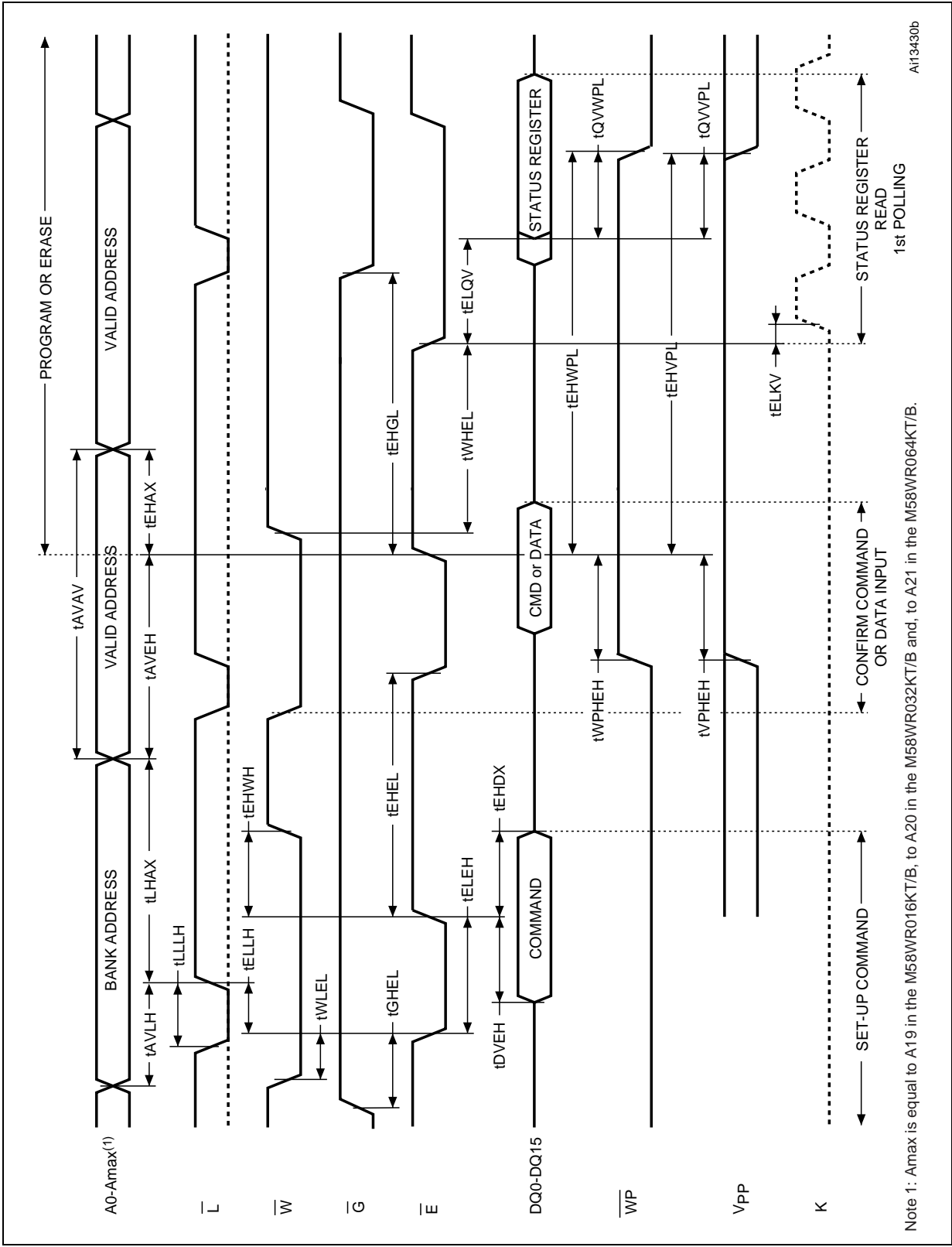


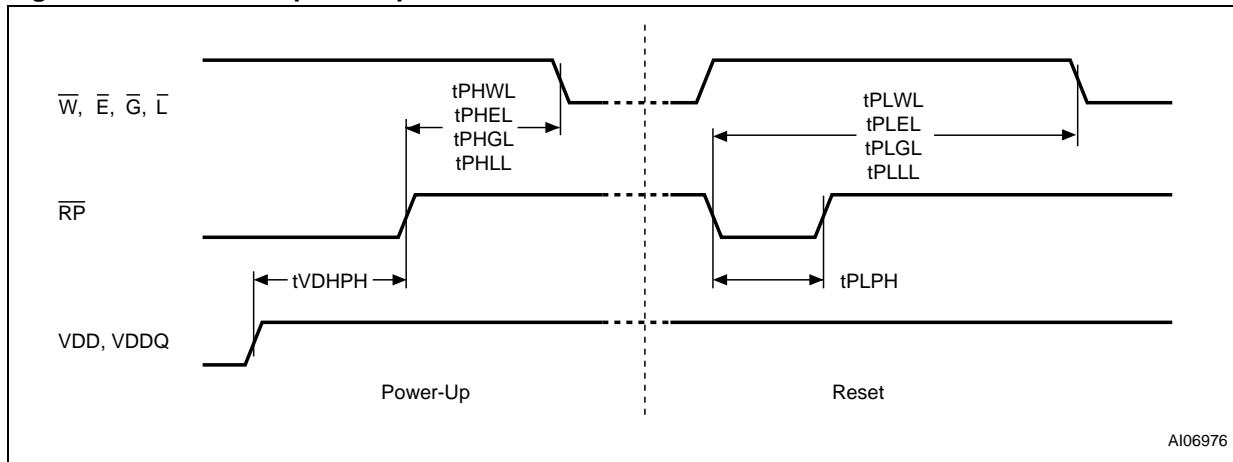
Table 27. Write AC characteristics, Chip Enable controlled⁽¹⁾

Symbol	Alt	Parameter	Value	Unit	
Chip Enable controlled timings	t_{AVAV}	t_{WC} Address Valid to Next Address Valid	Min	70	ns
	t_{AVEH}	Address Valid to Chip Enable High	Min	45	ns
	t_{AVLH}	Address Valid to Latch Enable High	Min	9	ns
	t_{DVEH}	t_{DS} Data Valid to Chip Enable High	Min	45	ns
	t_{EHAX}	t_{AH} Chip Enable High to Address Transition	Min	0	ns
	t_{EHDX}	t_{DH} Chip Enable High to Input Transition	Min	0	ns
	t_{EHEL}	t_{CPH} Chip Enable High to Chip Enable Low	Min	25	ns
	t_{EHGL}	Chip Enable High to Output Enable Low	Min	0	ns
	t_{EWHH}	t_{CH} Chip Enable High to Write Enable High	Min	0	ns
	t_{ELKV}	Chip Enable Low to Clock Valid	Min	9	ns
	t_{ELEH}	t_{CP} Chip Enable Low to Chip Enable High	Min	45	ns
	t_{ELLH}	Chip Enable Low to Latch Enable High	Min	10	ns
	t_{ELQV}	Chip Enable Low to Output Valid	Min	70	ns
	t_{GHLE}	Output Enable High to Chip Enable Low	Min	17	ns
	t_{LHAX}	Latch Enable High to Address Transition	Min	9	ns
	t_{LLLH}	Latch Enable Pulse Width	Min	9	ns
	$t_{WHEL}^{(2)}$	Write Enable High to Chip Enable Low	Min	25	ns
	t_{WLEL}	t_{CS} Write Enable Low to Chip Enable Low	Min	0	ns
	Protection timings	t_{EHVPL}	Chip Enable High to V_{PP} Low	Min	200
t_{EHWPL}		Chip Enable High to Write Protect Low	Min	200	ns
t_{QVVPL}		Output (Status Register) Valid to V_{PP} Low	Min	0	ns
t_{QVWPL}		Output (Status Register) Valid to Write Protect Low	Min	0	ns
t_{VPHEH}		t_{VPS} V_{PP} High to Chip Enable High	Min	200	ns
t_{WPHEH}		Write Protect High to Chip Enable High	Min	200	ns

1. Sampled only, not 100% tested.

2. t_{WHEL} has this value when reading in the targeted bank or when reading following a Set Configuration Register command. System designers should take this into account and may insert a software No-Op instruction to delay the first read in the same bank after issuing any command and to delay the first read to any address after issuing a Set Configuration Register command. If the first read after the command is a Read Array operation in a different bank and no changes to the Configuration Register have been issued, t_{WHEL} is 0 ns.

Figure 20. Reset and power-up AC waveforms



AI06976

Table 28. Reset and power-up AC characteristics

Symbol	Parameter	Test condition		Value	Unit
t _{PLWL} t _{PLEL} t _{PLGL} t _{PLLL}	Reset Low to Write Enable Low,	During program	Min	10	μs
	Reset Low to Chip Enable Low,	During erase	Min	20	μs
	Reset Low to Output Enable Low, Reset Low to Latch Enable Low	Other conditions	Min	80	ns
t _{PHWL} t _{PHEL} t _{PHGL} t _{PHLL}	Reset High to Write Enable Low Reset High to Chip Enable Low Reset High to Output Enable Low Reset High to Latch Enable Low		Min	30	ns
t _{PLPH} ^{(1),(2)}	\overline{RP} pulse width		Min	50	ns
t _{VDHPH} ⁽³⁾	Supply Voltages High to Reset High		Min	200	μs

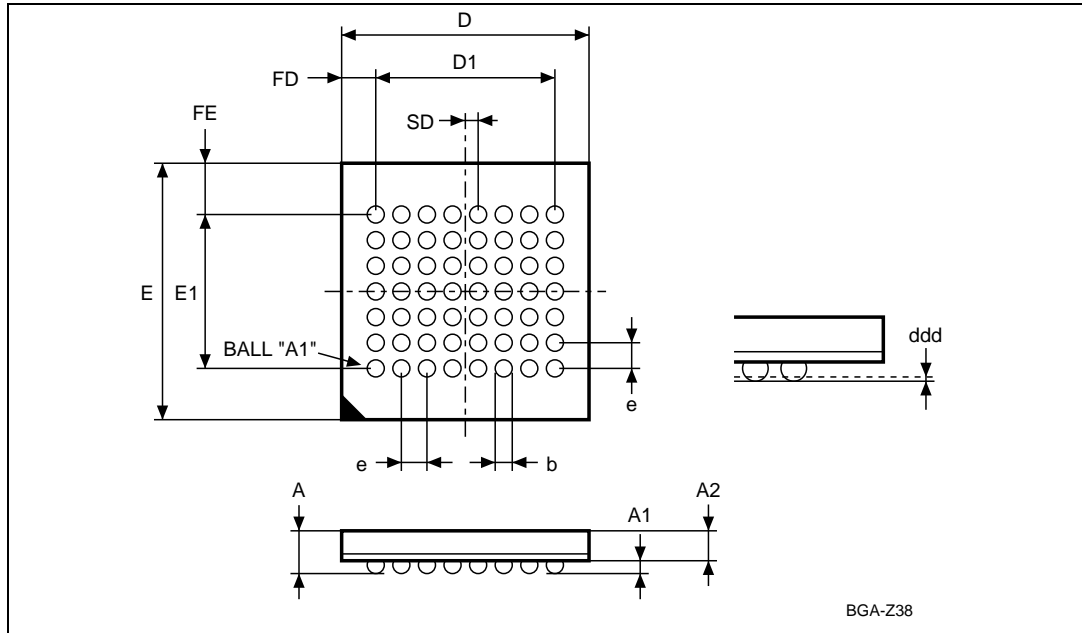
1. The device Reset is possible but not guaranteed if t_{PLPH} < 50 ns.
2. Sampled only, not 100% tested.
3. It is important to assert \overline{RP} in order to allow proper CPU initialization during power-up or reset.

15 Package mechanical

To meet environmental requirements, Numonyx offers the M58WRxxxKT/B in ECOPACK® packages, which have a lead-free, second-level interconnect. In compliance with JEDEC Standard JESD97, the category of second-level interconnect is marked on the package and on the inner box label.

The maximum ratings related to soldering conditions are also marked on the inner box label.

Figure 21. VFBGA56 7.7 × 9 mm - 8 × 7 active ball array, 0.75 mm, package outline

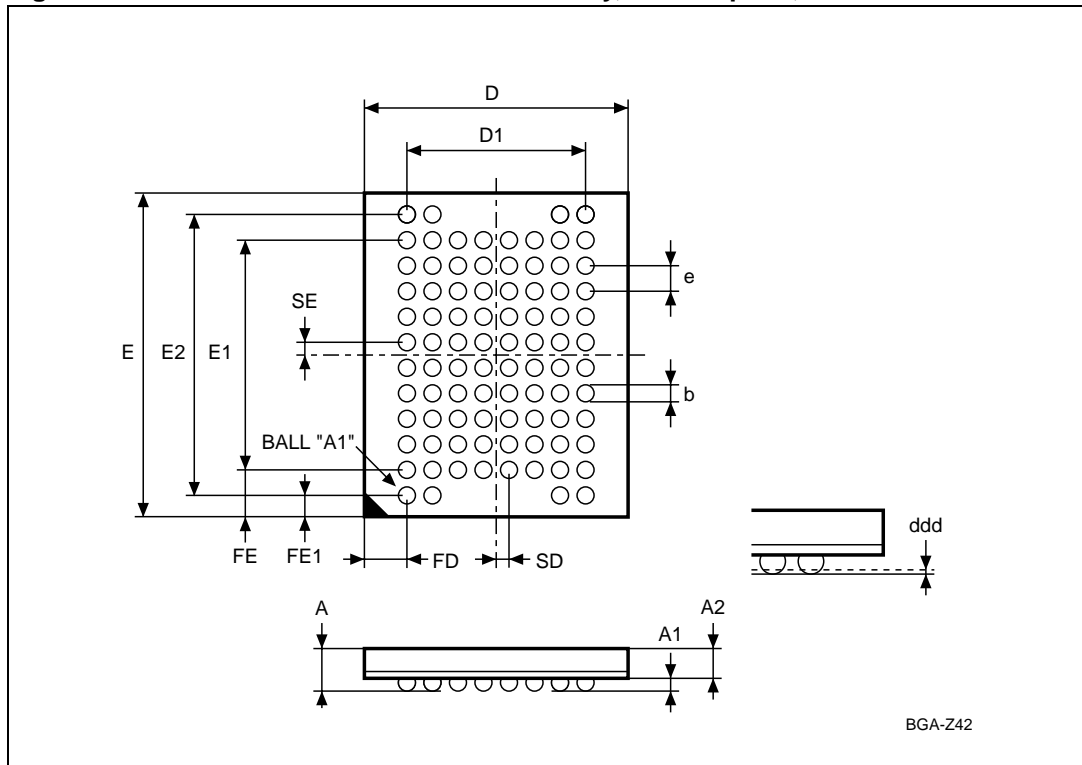


1. Drawing is not to scale.

Table 29. VFBGA56 7.7 × 9 mm - 8 × 7 active ball array, 0.75 mm, package mechanical data

Symbol	Millimeters			Inches		
	Typ	Min	Max	Typ	Min	Max
A			1.000			0.0394
A1		0.200			0.0079	
A2	0.660			0.0260		
b	0.350	0.300	0.400	0.0138	0.0118	0.0157
D	7.700	7.600	7.800	0.3031	0.2992	0.3071
D1	5.250	–	–	0.2067	–	–
ddd			0.080			0.0031
e	0.750	–	–	0.0295	–	–
E	9.000	8.900	9.100	0.3543	0.3504	0.3583
E1	4.500	–	–	0.1772	–	–
FD	1.225	–	–	0.0482	–	–
FE	2.250	–	–	0.0886	–	–
SD	0.375	–	–	0.0148	–	–

Figure 22. TFBGA88 8x10mm - 8 x 10 ball array, 0.8 mm pitch, bottom view outline



1. Drawing is not to scale.

Table 30. TFBGA88 8 x 10 mm - 8 x 10 ball array, 0.8 mm pitch, package data

Symbol	Millimeters			Inches		
	Typ	Min	Max	Typ	Min	Max
A			1.200			0.0472
A1		0.200			0.0079	
A2	0.850			0.0335		
b	0.350	0.300	0.400	0.0138	0.0118	0.0157
D	8.000	7.900	8.100	0.3150	0.3110	0.3189
D1	5.600			0.2205		
ddd			0.100			0.0039
E	10.000	9.900	10.100	0.3937	0.3898	0.3976
E1	7.200			0.2835		
E2	8.800			0.3465		
e	0.800	–	–	0.0315	–	–
FD	1.200			0.0472		
FE	1.400			0.0551		
FE1	0.600			0.0236		
SD	0.400			0.0157		
SE	0.400			0.0157		

16 Part numbering

Table 31. Ordering information scheme

Example:	M58WR016KT	70	ZB	6	E
Device type					
M58					
Architecture					
W = Multiple bank, burst mode					
Operating voltage					
R = $V_{DD} = V_{DDQ} = 1.7\text{ V to }2\text{ V}$					
Density					
016 = 16 Mbit (x16)					
032 = 32 Mbit (x16)					
064 = 64 Mbit (x16)					
Technology					
K = 65 nm technology					
Parameter bank location					
T = top boot					
B = bottom boot					
Speed					
70 = 70 ns					
Package					
ZB = VFPGA56 7.7 x 9 mm, 0.75 mm pitch					
ZAQ = TFBGA88 8 x 10 mm, 0.8 mm pitch					
Temperature range					
6 = -40 to 85 °C					
Options					
E = ECOPACK® package, standard packing					
F = ECOPACK® package, tape and reel Packing					

Devices are shipped from the factory with the memory content bits erased to '1'. For a list of available options (speed, etc.) or for further information on any aspect of this device, please contact the nearest Numonyx sales office.

Appendix A Block address tables

Table 32. Top boot block addresses, M58WR016KT

Bank ⁽¹⁾	#	Size (Kword)	Address range
Parameter bank	0	4	FF000-FFFFF
	1	4	FE000-FEFFF
	2	4	FD000-FDFFF
	3	4	FC000-FCFFF
	4	4	FB000-FBFFF
	5	4	FA000-FAFFF
	6	4	F9000-F9FFF
	7	4	F8000-F8FFF
	8	32	F0000-F7FFF
	9	32	E8000-EFFFF
	10	32	E0000-E7FFF
	11	32	D8000-DFFFF
	12	32	D0000-D7FFF
	13	32	C8000-CFFFF
14	32	C0000-C7FFF	
Bank 1	15	32	B8000-BFFFF
	16	32	B0000-B7FFF
	17	32	A8000-AFFFF
	18	32	A0000-A7FFF
	19	32	98000-9FFFF
	20	32	90000-97FFF
	21	32	88000-8FFFF
	22	32	80000-87FFF
Bank 2	23	32	78000-7FFFF
	24	32	70000-77FFF
	25	32	68000-6FFFF
	26	32	60000-67FFF
	27	32	58000-5FFFF
	28	32	50000-57FFF
	29	32	48000-4FFFF
	30	32	40000-47FFF

Table 32. Top boot block addresses, M58WR016KT (continued)

Bank ⁽¹⁾	#	Size (Kword)	Address range
Bank 3	31	32	38000-3FFFF
	32	32	30000-37FFF
	33	32	28000-2FFFF
	34	32	20000-27FFF
	35	32	18000-1FFFF
	36	32	10000-17FFF
	37	32	08000-0FFFF
	38	32	00000-07FFF

1. There are two Bank Regions: Bank Region 1 contains all the banks that are made up of main blocks only; Bank Region 2 contains the banks that are made up of the parameter and main blocks (parameter bank).

Table 33. Bottom boot block addresses, M58WR016KB

Bank ⁽¹⁾	#	Size (Kword)	Address range
Bank 3	38	32	F8000-FFFFF
	37	32	F0000-F7FFF
	36	32	E8000-EFFFF
	35	32	E0000-E7FFF
	34	32	D8000-DFFFF
	33	32	D0000-D7FFF
	32	32	C8000-CFFFF
	31	32	C0000-C7FFF
Bank 2	30	32	B8000-BFFFF
	29	32	B0000-B7FFF
	28	32	A8000-AFFFF
	27	32	A0000-A7FFF
	26	32	98000-9FFFF
	25	32	90000-97FFF
	24	32	88000-8FFFF
	23	32	80000-87FFF

Table 33. Bottom boot block addresses, M58WR016KB (continued)

Bank ⁽¹⁾	#	Size (Kword)	Address range
Bank 1	22	32	78000-7FFFF
	21	32	70000-77FFF
	20	32	68000-6FFFF
	19	32	60000-67FFF
	18	32	58000-5FFFF
	17	32	50000-57FFF
	16	32	48000-4FFFF
	15	32	40000-47FFF
Parameter bank	14	32	38000-3FFFF
	13	32	30000-37FFF
	12	32	28000-2FFFF
	11	32	20000-27FFF
	10	32	18000-1FFFF
	9	32	10000-17FFF
	8	32	08000-0FFFF
	7	4	07000-07FFF
	6	4	06000-06FFF
	5	4	05000-05FFF
	4	4	04000-04FFF
	3	4	03000-03FFF
	2	4	02000-02FFF
	1	4	01000-01FFF
	0	4	00000-00FFF

1. There are two bank regions: bank region 2 contains all the banks that are made up of main blocks only; bank region 1 contains the banks that are made up of the parameter and main blocks (parameter bank).

Table 34. Top boot block addresses, M58WR032KT

Bank ⁽¹⁾	#	Size (Kword)	Address range
Parameter bank	0	4	1FF000-1FFFFFF
	1	4	1FE000-1FEFFF
	2	4	1FD000-1FDFFF
	3	4	1FC000-1FCFFF
	4	4	1FB000-1FBFFF
	5	4	1FA000-1FAFFF
	6	4	1F9000-1F9FFF
	7	4	1F8000-1F8FFF
	8	32	1F0000-1F7FFF
	9	32	1E8000-1EFFFF
	10	32	1E0000-1E7FFF
	11	32	1D8000-1DFFFF
	12	32	1D0000-1D7FFF
	13	32	1C8000-1CFFFF
	14	32	1C0000-1C7FFF
Bank 1	15	32	1B8000-1BFFFF
	16	32	1B0000-1B7FFF
	17	32	1A8000-1AFFFF
	18	32	1A0000-1A7FFF
	19	32	198000-19FFFF
	20	32	190000-197FFF
	21	32	188000-18FFFF
	22	32	180000-187FFF
Bank 2	23	32	178000-17FFFF
	24	32	170000-177FFF
	25	32	168000-16FFFF
	26	32	160000-167FFF
	27	32	158000-15FFFF
	28	32	150000-157FFF
	29	32	148000-14FFFF
	30	32	140000-147FFF
Bank 3	31	32	138000-13FFFF
	32	32	130000-137FFF
	33	32	128000-12FFFF
	34	32	120000-127FFF
	35	32	118000-11FFFF
	36	32	110000-117FFF
	37	32	108000-10FFFF
	38	32	100000-107FFF

Table 34. Top boot block addresses, M58WR032KT (continued)

Bank ⁽¹⁾	#	Size (Kword)	Address range
Bank 4	39	32	0F8000-0FFFFFFF
	40	32	0F0000-0F7FFF
	41	32	0E8000-0EFFFF
	42	32	0E0000-0E7FFF
	43	32	0D8000-0DFFFF
	44	32	0D0000-0D7FFF
	45	32	0C8000-0CFFFF
	46	32	0C0000-0C7FFF
Bank 5	47	32	0B8000-0BFFFF
	48	32	0B0000-0B7FFF
	49	32	0A8000-0AFFFF
	50	32	0A0000-0A7FFF
	51	32	098000-09FFFF
	52	32	090000-097FFF
	53	32	088000-08FFFF
	54	32	080000-087FFF
Bank 6	55	32	078000-07FFFF
	56	32	070000-077FFF
	57	32	068000-06FFFF
	58	32	060000-067FFF
	59	32	058000-05FFFF
	60	32	050000-057FFF
	61	32	048000-04FFFF
	62	32	040000-047FFF
Bank 7	63	32	038000-03FFFF
	64	32	030000-037FFF
	65	32	028000-02FFFF
	66	32	020000-027FFF
	67	32	018000-01FFFF
	68	32	010000-017FFF
	69	32	008000-00FFFF
	70	32	000000-007FFF

1. There are two Bank Regions: Bank Region 1 contains all the banks that are made up of main blocks only; Bank Region 2 contains the banks that are made up of the parameter and main blocks (parameter bank).

Table 35. Bottom boot block addresses, M58WR032KB

Bank ⁽¹⁾	#	Size (Kword)	Address range
Bank 7	70	32	1F8000-1FFFFFF
	69	32	1F0000-1F7FFF
	68	32	1E8000-1EFFFF
	67	32	1E0000-1E7FFF
	66	32	1D8000-1DFFFF
	65	32	1D0000-1D7FFF
	64	32	1C8000-1CFFFF
	63	32	1C0000-1C7FFF
Bank 6	62	32	1B8000-1BFFFF
	61	32	1B0000-1B7FFF
	60	32	1A8000-1AFFFF
	59	32	1A0000-1A7FFF
	58	32	198000-19FFFF
	57	32	190000-197FFF
	56	32	188000-18FFFF
	55	32	180000-187FFF
Bank 5	54	32	178000-17FFFF
	53	32	170000-177FFF
	52	32	168000-16FFFF
	51	32	160000-167FFF
	50	32	158000-15FFFF
	49	32	150000-157FFF
	48	32	148000-14FFFF
	47	32	140000-147FFF
Bank 4	46	32	138000-13FFFF
	45	32	130000-137FFF
	44	32	128000-12FFFF
	43	32	120000-127FFF
	42	32	118000-11FFFF
	41	32	110000-117FFF
	40	32	108000-10FFFF
	39	32	100000-107FFF

Table 35. Bottom boot block addresses, M58WR032KB (continued)

Bank ⁽¹⁾	#	Size (Kword)	Address range
Bank 3	38	32	0F8000-0FFFFFFF
	37	32	0F0000-0F7FFF
	36	32	0E8000-0EFFFF
	35	32	0E0000-0E7FFF
	34	32	0D8000-0DFFFF
	33	32	0D0000-0D7FFF
	32	32	0C8000-0CFFFF
	31	32	0C0000-0C7FFF
Bank 2	30	32	0B8000-0BFFFF
	29	32	0B0000-0B7FFF
	28	32	0A8000-0AFFFF
	27	32	0A0000-0A7FFF
	26	32	098000-09FFFF
	25	32	090000-097FFF
	24	32	088000-08FFFF
	23	32	080000-087FFF
Bank 1	22	32	078000-07FFFF
	21	32	070000-077FFF
	20	32	068000-06FFFF
	19	32	060000-067FFF
	18	32	058000-05FFFF
	17	32	050000-057FFF
	16	32	048000-04FFFF
	15	32	040000-047FFF

Table 35. Bottom boot block addresses, M58WR032KB (continued)

Bank ⁽¹⁾	#	Size (Kword)	Address range
Parameter Bank	14	32	038000-03FFFF
	13	32	030000-037FFF
	12	32	028000-02FFFF
	11	32	020000-027FFF
	10	32	018000-01FFFF
	9	32	010000-017FFF
	8	32	008000-00FFFF
	7	4	007000-007FFF
	6	4	006000-006FFF
	5	4	005000-005FFF
	4	4	004000-004FFF
	3	4	003000-003FFF
	2	4	002000-002FFF
	1	4	001000-001FFF
	0	4	000000-000FFF

1. There are two bank regions: bank region 2 contains all the banks that are made up of main blocks only; bank region 1 contains the banks that are made up of the parameter and main blocks (parameter bank).

Table 36. Top boot block addresses, M58WR064KT

Bank ⁽¹⁾	#	Size (Kword)	Address range
Parameter bank	0	4	3FF000-3FFFFFF
	1	4	3FE000-3FEFFF
	2	4	3FD000-3FDFFF
	3	4	3FC000-3FCFFF
	4	4	3FB000-3FBFFF
	5	4	3FA000-3FAFFF
	6	4	3F9000-3F9FFF
	7	4	3F8000-3F8FFF
	8	32	3F0000-3F7FFF
	9	32	3E8000-3EFFFF
	10	32	3E0000-3E7FFF
	11	32	3D8000-3DFFFF
	12	32	3D0000-3D7FFF
	13	32	3C8000-3CFFFF
14	32	3C0000-3C7FFF	
Bank 1	15	32	3B8000-3BFFFF
	16	32	3B0000-3B7FFF
	17	32	3A8000-3AFFFF
	18	32	3A0000-3A7FFF
	19	32	398000-39FFFF
	20	32	390000-397FFF
	21	32	388000-38FFFF
	22	32	380000-387FFF
Bank 2	23	32	378000-37FFFF
	24	32	370000-377FFF
	25	32	368000-36FFFF
	26	32	360000-367FFF
	27	32	358000-35FFFF
	28	32	350000-357FFF
	29	32	348000-34FFFF
	30	32	340000-347FFF
Bank 3	31	32	338000-33FFFF
	32	32	330000-337FFF
	33	32	328000-32FFFF
	34	32	320000-327FFF
	35	32	318000-31FFFF
	36	32	310000-317FFF
	37	32	308000-30FFFF
	38	32	300000-307FFF

Table 36. Top boot block addresses, M58WR064KT (continued)

Bank ⁽¹⁾	#	Size (Kword)	Address range
Bank 4	39	32	2F8000-2FFFFFF
	40	32	2F0000-2F7FFF
	41	32	2E8000-2EFFFF
	42	32	2E0000-2E7FFF
	43	32	2D8000-2DFFFF
	44	32	2D0000-2D7FFF
	45	32	2C8000-2CFFFF
	46	32	2C0000-2C7FFF
Bank 5	47	32	2B8000-2BFFFF
	48	32	2B0000-2B7FFF
	49	32	2A8000-2AFFFF
	50	32	2A0000-2A7FFF
	51	32	298000-29FFFF
	52	32	290000-297FFF
	53	32	288000-28FFFF
	54	32	280000-287FFF
Bank 6	55	32	278000-27FFFF
	56	32	270000-277FFF
	57	32	268000-26FFFF
	58	32	260000-267FFF
	59	32	258000-25FFFF
	60	32	250000-257FFF
	61	32	248000-24FFFF
	62	32	240000-247FFF
Bank 7	63	32	238000-23FFFF
	64	32	230000-237FFF
	65	32	228000-22FFFF
	66	32	220000-227FFF
	67	32	218000-21FFFF
	68	32	210000-217FFF
	69	32	208000-20FFFF
	70	32	200000-207FFF
Bank 8	71	32	1F8000-1FFFFFF
	72	32	1F0000-1F7FFF
	73	32	1E8000-1EFFFF
	74	32	1E0000-1E7FFF
	75	32	1D8000-1DFFFF
	76	32	1D0000-1D7FFF
	77	32	1C8000-1CFFFF
	78	32	1C0000-1C7FFF

Table 36. Top boot block addresses, M58WR064KT (continued)

Bank ⁽¹⁾	#	Size (Kword)	Address range
Bank 9	79	32	1B8000-1BFFFF
	80	32	1B0000-1B7FFF
	81	32	1A8000-1AFFFF
	82	32	1A0000-1A7FFF
	83	32	198000-19FFFF
	84	32	190000-197FFF
	85	32	188000-18FFFF
	86	32	180000-187FFF
Bank 10	87	32	178000-17FFFF
	88	32	170000-177FFF
	89	32	168000-16FFFF
	90	32	160000-167FFF
	91	32	158000-15FFFF
	92	32	150000-157FFF
	93	32	148000-14FFFF
	94	32	140000-147FFF
Bank 11	95	32	138000-13FFFF
	96	32	130000-137FFF
	97	32	128000-12FFFF
	98	32	120000-127FFF
	99	32	118000-11FFFF
	100	32	110000-117FFF
	101	32	108000-10FFFF
	102	32	100000-107FFF
Bank 12	103	32	0F8000-0FFFFF
	104	32	0F0000-0F7FFF
	105	32	0E8000-0EFFFF
	106	32	0E0000-0E7FFF
	107	32	0D8000-0DFFFF
	108	32	0D0000-0D7FFF
	109	32	0C8000-0CFFFF
	110	32	0C0000-0C7FFF
Bank 13	111	32	0B8000-0BFFFF
	112	32	0B0000-0B7FFF
	113	32	0A8000-0AFFFF
	114	32	0A0000-0A7FFF
	115	32	098000-09FFFF
	116	32	090000-097FFF
	117	32	088000-08FFFF
	118	32	080000-087FFF

Table 36. Top boot block addresses, M58WR064KT (continued)

Bank ⁽¹⁾	#	Size (Kword)	Address range
Bank 14	119	32	078000-07FFFF
	120	32	070000-077FFF
	121	32	068000-06FFFF
	122	32	060000-067FFF
	123	32	058000-05FFFF
	124	32	050000-057FFF
	125	32	048000-04FFFF
	126	32	040000-047FFF
Bank 15	127	32	038000-03FFFF
	128	32	030000-037FFF
	129	32	028000-02FFFF
	130	32	020000-027FFF
	131	32	018000-01FFFF
	132	32	010000-017FFF
	133	32	008000-00FFFF
	134	32	000000-007FFF

1. There are two bank regions: bank region 1 contains all the banks that are made up of main blocks only; bank region 2 contains the banks that are made up of the parameter and main blocks (parameter bank).

Table 37. Bottom boot block addresses, M58WR064KB

Bank ⁽¹⁾	#	Size (Kword)	Address range
Bank 15	134	32	3F8000-3FFFFFF
	133	32	3F0000-3F7FFF
	132	32	3E8000-3EFFFF
	131	32	3E0000-3E7FFF
	130	32	3D8000-3DFFFF
	129	32	3D0000-3D7FFF
	128	32	3C8000-3CFFFF
	127	32	3C0000-3C7FFF
Bank 14	126	32	3B8000-3BFFFF
	125	32	3B0000-3B7FFF
	124	32	3A8000-3AFFFF
	123	32	3A0000-3A7FFF
	122	32	398000-39FFFF
	121	32	390000-397FFF
	120	32	388000-38FFFF
	119	32	380000-387FFF

Table 37. Bottom boot block addresses, M58WR064KB (continued)

Bank ⁽¹⁾	#	Size (Kword)	Address range
Bank 13	118	32	378000-37FFFF
	117	32	370000-377FFF
	116	32	368000-36FFFF
	115	32	360000-367FFF
	114	32	358000-35FFFF
	113	32	350000-357FFF
	112	32	348000-34FFFF
	111	32	340000-347FFF
Bank 12	110	32	338000-33FFFF
	109	32	330000-337FFF
	108	32	328000-32FFFF
	107	32	320000-327FFF
	106	32	318000-31FFFF
	105	32	310000-317FFF
	104	32	308000-30FFFF
	103	32	300000-307FFF
Bank 11	102	32	2F8000-2FFFFF
	101	32	2F0000-2F7FFF
	100	32	2E8000-2EFFFF
	99	32	2E0000-2E7FFF
	98	32	2D8000-2DFFFF
	97	32	2D0000-2D7FFF
	96	32	2C8000-2CFFFF
	95	32	2C0000-2C7FFF
Bank 10	94	32	2B8000-2BFFFF
	93	32	2B0000-2B7FFF
	92	32	2A8000-2AFFFF
	91	32	2A0000-2A7FFF
	90	32	298000-29FFFF
	89	32	290000-297FFF
	88	32	288000-28FFFF
	87	32	280000-287FFF

Table 37. Bottom boot block addresses, M58WR064KB (continued)

Bank ⁽¹⁾	#	Size (Kword)	Address range
Bank 9	86	32	278000-27FFFF
	85	32	270000-277FFF
	84	32	268000-26FFFF
	83	32	260000-267FFF
	82	32	258000-25FFFF
	81	32	250000-257FFF
	80	32	248000-24FFFF
	79	32	240000-247FFF
Bank 8	78	32	238000-23FFFF
	77	32	230000-237FFF
	76	32	228000-22FFFF
	75	32	220000-227FFF
	74	32	218000-21FFFF
	73	32	210000-217FFF
	72	32	208000-20FFFF
	71	32	200000-207FFF
Bank 7	70	32	1F8000-1FFFFF
	69	32	1F0000-1F7FFF
	68	32	1E8000-1EFFFF
	67	32	1E0000-1E7FFF
	66	32	1D8000-1DFFFF
	65	32	1D0000-1D7FFF
	64	32	1C8000-1CFFFF
	63	32	1C0000-1C7FFF
Bank 6	62	32	1B8000-1BFFFF
	61	32	1B0000-1B7FFF
	60	32	1A8000-1AFFFF
	59	32	1A0000-1A7FFF
	58	32	198000-19FFFF
	57	32	190000-197FFF
	56	32	188000-18FFFF
	55	32	180000-187FFF

Table 37. Bottom boot block addresses, M58WR064KB (continued)

Bank ⁽¹⁾	#	Size (Kword)	Address range
Bank 5	54	32	178000-17FFFF
	53	32	170000-177FFF
	52	32	168000-16FFFF
	51	32	160000-167FFF
	50	32	158000-15FFFF
	49	32	150000-157FFF
	48	32	148000-14FFFF
	47	32	140000-147FFF
Bank 4	46	32	138000-13FFFF
	45	32	130000-137FFF
	44	32	128000-12FFFF
	43	32	120000-127FFF
	42	32	118000-11FFFF
	41	32	110000-117FFF
	40	32	108000-10FFFF
	39	32	100000-107FFF
Bank 3	38	32	0F8000-0FFFFF
	37	32	0F0000-0F7FFF
	36	32	0E8000-0EFFFF
	35	32	0E0000-0E7FFF
	34	32	0D8000-0DFFFF
	33	32	0D0000-0D7FFF
	32	32	0C8000-0CFFFF
	31	32	0C0000-0C7FFF
Bank 2	30	32	0B8000-0BFFFF
	29	32	0B0000-0B7FFF
	28	32	0A8000-0AFFFF
	27	32	0A0000-0A7FFF
	26	32	098000-09FFFF
	25	32	090000-097FFF
	24	32	088000-08FFFF
	23	32	080000-087FFF

Table 37. Bottom boot block addresses, M58WR064KB (continued)

Bank ⁽¹⁾	#	Size (Kword)	Address range
Bank 1	22	32	078000-07FFFF
	21	32	070000-077FFF
	20	32	068000-06FFFF
	19	32	060000-067FFF
	18	32	058000-05FFFF
	17	32	050000-057FFF
	16	32	048000-04FFFF
	15	32	040000-047FFF
Parameter bank	14	32	038000-03FFFF
	13	32	030000-037FFF
	12	32	028000-02FFFF
	11	32	020000-027FFF
	10	32	018000-01FFFF
	9	32	010000-017FFF
	8	32	008000-00FFFF
	7	4	007000-007FFF
	6	4	006000-006FFF
	5	4	005000-005FFF
	4	4	004000-004FFF
	3	4	003000-003FFF
	2	4	002000-002FFF
	1	4	001000-001FFF
	0	4	000000-000FFF

1. There are two bank regions: bank region 2 contains all the banks that are made up of main blocks only; bank region 1 contains the banks that are made up of the parameter and main blocks (parameter bank).

Appendix B Common Flash interface

The common Flash interface is a JEDEC approved, standardized data structure that can be read from the Flash memory device. It allows a system software to query the device to determine various electrical and timing parameters, density information and functions supported by the memory. The system can interface easily with the device, enabling the software to upgrade itself when necessary.

When the Read CFI Query Command is issued the device enters CFI query mode and the data structure is read from the memory. Tables [38](#), [39](#), [40](#), [41](#), [42](#), [43](#), [44](#), [45](#), [46](#) and [47](#) show the addresses used to retrieve the data. The query data is always presented on the lowest order data outputs (DQ0-DQ7), the other outputs (DQ8-DQ15) are set to 0.

The CFI data structure also contains a security area where a 64-bit unique security number is written (see [Figure 7: Protection Register memory map](#)). This area can be accessed only in read mode by the final user. It is impossible to change the security number after it has been written by Numonyx. Issue a Read Array command to return to read mode.

Table 38. Query structure overview⁽¹⁾

Offset	Sub-section name	Description
00h	Reserved	Reserved for algorithm-specific information
10h	CFI Query Identification String	Command set ID and algorithm data offset
1Bh	System Interface Information	Device timing & voltage information
27h	Device Geometry Definition	Flash device layout
P	Primary Algorithm-specific Extended Query table	Additional information specific to the Primary Algorithm (optional)
A	Alternate Algorithm-specific Extended Query table	Additional information specific to the Alternate Algorithm (optional)
80h	Security Code Area	Lock Protection Register Unique device Number and User Programmable OTP

1. The Flash memory display the CFI data structure when CFI Query command is issued. In this table are listed the main sub-sections detailed in Tables [39](#), [40](#), [41](#) and [42](#). Query data is always presented on the lowest order data outputs.

Table 39. CFI query identification string

Offset	Sub-section name	Description	Value
00h	0020h	Manufacturer code	Numonyx
01h	8812h 8814h 8810h 8813h 8815h 8811h	Device code	M58WR016KT (Top) M58WR032KT (Top) M58WR064KT (Top) M58WR016KB (Bottom) M58WR032KB (Bottom) M58WR064KB (Bottom)
02h	reserved	Reserved	
03h	reserved	Reserved	
04h-0Fh	reserved	Reserved	
10h	0051h	Query Unique ASCII String "QRY"	"Q"
11h	0052h		"R"
12h	0059h		"Y"
13h 14h	0003h 0000h	Primary Algorithm Command Set and Control Interface ID code 16 bit ID code defining a specific algorithm	
15h 16h	offset = P = 0039h 0000h	Address for Primary Algorithm extended Query table (see Table 42)	p = 39h
17h 18h	0000h 0000h	Alternate Vendor Command Set and Control Interface ID Code second vendor - specified algorithm supported	NA
19h 1Ah	value = A = 0000h 0000h	Address for Alternate Algorithm extended Query table	NA

Table 40. CFI query system interface information

Offset	Data	Description	Value
1Bh	0017h	V _{DD} Logic Supply Minimum Program/Erase or Write voltage bit 7 to 4 BCD value in volts bit 3 to 0 BCD value in 100 millivolts	1.7V
1Ch	0020h	V _{DD} Logic Supply Maximum Program/Erase or Write voltage bit 7 to 4 BCD value in volts bit 3 to 0 BCD value in 100 millivolts	2V
1Dh	0085h	V _{PP} [Programming] Supply Minimum Program/Erase voltage bit 7 to 4 HEX value in volts bit 3 to 0 BCD value in 100 millivolts	8.5V
1Eh	0095h	V _{PP} [Programming] Supply Maximum Program/Erase voltage bit 7 to 4 HEX value in volts bit 3 to 0 BCD value in 100 millivolts	9.5V
1Fh	0004h	Typical time-out per single byte/word program = 2 ⁿ μs	16μs
20h	0000h	Typical time-out for multi-byte programming = 2 ⁿ μs	NA
21h	000Ah	Typical time-out per individual block erase = 2 ⁿ ms	1s
22h	0000h	Typical time-out for full chip erase = 2 ⁿ ms	NA
23h	0003h	Maximum time-out for word program = 2 ⁿ times typical	128μs
24h	0000h	Maximum time-out for multi-byte programming = 2 ⁿ times typical	NA
25h	0002h	Maximum time-out per individual block erase = 2 ⁿ times typical	4s
26h	0000h	Maximum time-out for chip erase = 2 ⁿ times typical	NA

Table 41. Device geometry definition

Offset word mode	Data	Description	Value	
27h	0015h	M58WR016KT/B Device Size = 2^n in number of bytes	2 Mbytes	
	0016h	M58WR032KT/B Device Size = 2^n in number of bytes	4 Mbytes	
	0017h	M58WR064KT/B Device Size = 2^n in number of bytes	8 Mbytes	
28h 29h	0001h 0000h	Flash Device Interface Code description	x16 Async.	
2Ah 2Bh	0000h 0000h	Maximum number of bytes in multi-byte program or page = 2^n	NA	
2Ch	0002h	Number of identical sized erase block regions within the device bit 7 to 0 = x = number of Erase Block Regions	2	
Top devices	2Dh 2Eh	001Eh 0000h	M58WR016KT Region 1 Information Number of identical-size erase blocks = $001Eh+1$	31
		003Eh 0000h	M58WR032KT Region 1 Information Number of identical-size erase blocks = $003Eh+1$	63
		007Eh 0000h	M58WR064KT Region 1 Information Number of identical-size erase blocks = $007Eh+1$	127
	2Fh 30h	0000h 0001h	Region 1 Information Block size in Region 1 = $0100h * 256$ byte	64 Kbyte
	31h 32h	0007h 0000h	Region 2 Information Number of identical-size erase blocks = $0007h+1$	8
	33h 34h	0020h 0000h	Region 2 Information Block size in Region 2 = $0020h * 256$ byte	8 Kbyte
	35h 38h	Reserved for future erase block region information		NA
Bottom devices	2Dh 2Eh	0007h 0000h	Region 1 Information Number of identical-size erase block = $0007h+1$	8
	2Fh 30h	0020h 0000h	Region 1 Information Block size in Region 1 = $0020h * 256$ byte	8 Kbyte
	31h 32h	001Eh 0000h	M58WR016KB Region 1 Information Number of identical-size erase blocks = $001Eh+1$	31
		003Eh 0000h	M58WR032KB Region 1 Information Number of identical-size erase blocks = $003Eh+1$	63
		007Eh 0000h	M58WR064KB Region 1 Information Number of identical-size erase blocks = $007Eh+1$	127
	33h 34h	0000h 0001h	Region 2 Information Block size in Region 2 = $0100h * 256$ byte	64 Kbyte
35h 38h	Reserved for future erase block region information		NA	

Table 42. Primary algorithm-specific extended query table⁽¹⁾

Offset	Data	Description	Value
(P)h = 39h	0050h 0052h 0049h	Primary Algorithm extended Query table unique ASCII string "PRI"	"P" "R" "I"
(P+3)h = 3Ch	0031h	Major version number, ASCII	"1"
(P+4)h = 3Dh	0033h	Minor version number, ASCII	"3"
(P+5)h = 3Eh	00E6h	Extended Query table contents for Primary Algorithm. Address (P+5)h contains less significant byte.	
	0003h		
(P+7)h = 40h	0000h		
(P+8)h = 41h	0000h	bit 0 Chip Erase supported (1 = Yes, 0 = No) bit 1 Erase Suspend supported (1 = Yes, 0 = No) bit 2 Program Suspend supported (1 = Yes, 0 = No) bit 3 Legacy Lock/Unlock supported (1 = Yes, 0 = No) bit 4 Queued Erase supported (1 = Yes, 0 = No) bit 5 Instant individual block locking supported (1 = Yes, 0 = No) bit 6 Protection bits supported (1 = Yes, 0 = No) bit 7 Page mode read supported (1 = Yes, 0 = No) bit 8 Synchronous read supported (1 = Yes, 0 = No) bit 9 Simultaneous operation supported (1 = Yes, 0 = No) bit 10 to 31 Reserved; undefined bits are '0'. If bit 31 is '1' then another 31 bit field of optional features follows at the end of the bit-30 field.	No Yes Yes No No Yes Yes Yes Yes
(P+9)h = 42h	0001h	Supported Functions after Suspend Read Array, Read Status Register and CFI Query bit 0 Program supported after Erase Suspend (1 = Yes, 0 = No) bit 7 to 1 Reserved; undefined bits are '0'	Yes
(P+A)h = 43h	0003h	Block Protect status	
(P+B)h = 44h	0000h	Defines which bits in the Block Status Register section of the Query are implemented. bit 0 Block protect Status Register Lock/Unlock bit active (1 = Yes, 0 = No) bit 1 Block Lock Status Register lock-down bit active (1 = Yes, 0 = No) bit 15 to 2 Reserved for future use; undefined bits are '0'	
(P+C)h = 45h	0018h	V _{DD} Logic Supply Optimum Program/Erase voltage (highest performance) bit 7 to 4 HEX value in volts bit 3 to 0 BCD value in 100 mV	1.8V
(P+D)h = 46h	0090h	V _{PP} Supply Optimum Program/Erase voltage bit 7 to 4 HEX value in volts bit 3 to 0 BCD value in 100 mV	9V

1. The variable P is a pointer that is defined at CFI offset [15h](#).

Table 43. Protection Register information⁽¹⁾

Offset	Data	Description	Value
(P+E)h = 47h	0001h	Number of protection register fields in JEDEC ID space. 0000h indicates that 256 fields are available.	1
(P+F)h = 48h	0080h	Protection Field 1: Protection Description	0080h
(P+10)h = 49h	0000h	Bits 0-7 Lower byte of protection register address	
(P+11)h = 4Ah	0003h	Bits 8-15 Upper byte of protection register address	8 bytes
(P+12)h = 4Bh	0004h	Bits 16-23 2 ⁿ bytes in factory pre-programmed region	16 bytes
		Bits 24-31 2 ⁿ bytes in user programmable region	

1. The variable P is a pointer that is defined at CFI offset [15h](#).

Table 44. Burst Read information⁽¹⁾

Offset	Data	Description	Value
(P+13)h = 4Ch	0003h	Page-mode read capability bits 0-7 'n' such that 2 ⁿ HEX value represents the number of read-page bytes. See offset 28h for device word width to determine page-mode data output width.	8 bytes
(P+14)h = 4Dh	0004h	Number of synchronous mode read configuration fields that follow.	4
(P+15)h = 4Eh	0001h	Synchronous mode read capability configuration 1 bit 3-7 Reserved bit 0-2 'n' such that 2 ⁿ⁺¹ HEX value represents the maximum number of continuous synchronous reads when the device is configured for its maximum word width. A value of 07h indicates that the device is capable of continuous linear bursts that will output data until the internal burst counter reaches the end of the device's burstable address space. This field's 3-bit value can be written directly to the read configuration register bit 0-2 if the device is configured for its maximum word width. See offset 28h for word width to determine the burst data output width.	4
(P+16)h = 4Fh	0002h	Synchronous mode read capability configuration 2	8
(P+17)h = 50h	0003h	Synchronous mode read capability configuration 3	16
(P+18)h = 51h	0007h	Synchronous mode read capability configuration 4	Cont.

1. The variable P is a pointer that is defined at CFI offset [15h](#).

Table 45. Bank and erase block region information^{(1) (2)}

M58WR016KT, M58WR032KT, M58WR064KT		M58WR016KB, M58WR032KB, M58WR064KB		Description
Offset	Data	Offset	Data	
(P+19)h = 52h	02h	(P+19)h = 52h	02h	Number of Bank Regions within the device

1. The variable P is a pointer that is defined at CFI offset [15h](#).

2. Bank Regions. There are two Bank Regions, see Tables [32](#), [33](#), [34](#), [35](#), [36](#) and [37](#).

Table 46. Bank and erase block region 1 information⁽¹⁾

M58WR016KT, M58WR032KT, M58WR064KT		M58WR016KB, M58WR032KB, M58WR064KB		Description
Offset	Data	Offset	Data	
(P+1A)h = 53h	03h ⁽²⁾ 07h ⁽³⁾ 0Fh ⁽⁴⁾	(P+1A)h = 53h	01h	Number of identical banks within Bank Region 1
(P+1B)h = 54h	00h	(P+1B)h = 54h	00h	
(P+1C)h = 55h	11h	(P+1C)h = 55h	11h	Number of program or erase operations allowed in Bank Region 1: Bits 0-3: Number of simultaneous program operations Bits 4-7: Number of simultaneous erase operations
(P+1D)h = 56h	00h	(P+1D)h = 56h	00h	Number of program or erase operations allowed in other banks while a bank in same region is programming Bits 0-3: Number of simultaneous program operations Bits 4-7: Number of simultaneous erase operations
(P+1E)h = 57h	00h	(P+1E)h = 57h	00h	Number of program or erase operations allowed in other banks while a bank in this region is erasing Bits 0-3: Number of simultaneous program operations Bits 4-7: Number of simultaneous erase operations
(P+1F)h = 58h	01h	(P+1F)h = 58h	02h	Types of erase block regions in Bank Region 1 n = number of erase block regions with contiguous same-size erase blocks. Symmetrically blocked banks have one blocking region. ⁽⁵⁾
(P+20)h = 59h	07h	(P+20)h = 59h	07h	Bank Region 1 Erase Block Type 1 Information Bits 0-15: n+1 = number of identical-sized erase blocks Bits 16-31: n×256 = number of bytes in erase block region
(P+21)h = 5Ah	00h	(P+21)h = 5Ah	00h	
(P+22)h = 5Bh	00h	(P+22)h = 5Bh	20h	
(P+23)h = 5Ch	01h	(P+23)h = 5Ch	00h	
(P+24)h = 5Dh	64h	(P+24)h = 5Dh	64h	Bank Region 1 (Erase Block Type 1)
(P+25)h = 5Eh	00h	(P+25)h = 5Eh	00h	Minimum block erase cycles × 1000
(P+26)h = 5Fh	01h	(P+26)h = 5Fh	01h	Bank Region 1 (Erase Block Type 1): Blts per cell, internal ECC Bits 0-3: bits per cell in erase region Bit 4: reserved for "internal ECC used" Blts 5-7: reserved 5Eh 01 5Eh 01
(P+27)h = 60h	03h	(P+27)h = 60h	03h	Bank Region 1 (Erase Block Type 1): page mode and synchronous mode capabilities Bit 0: Page-mode reads permitted Bit 1: Synchronous reads permitted Bit 2: Synchronous writes permitted Bits 3-7: reserved

Table 46. Bank and erase block region 1 information⁽¹⁾ (continued)

M58WR016KT, M58WR032KT, M58WR064KT		M58WR016KB, M58WR032KB, M58WR064KB		Description
Offset	Data	Offset	Data	
		(P+28)h = 61h	06h	Bank Region 1 Erase Block Type 2 Information Bits 0-15: n+1 = number of identical-sized erase blocks Bits 16-31: n×256 = number of bytes in erase block region
		(P+29)h = 62h	00h	
		(P+2A)h = 63h	00h	
		(P+2B)h = 64h	01h	
		(P+2C)h = 65h	64h	Bank Region 1 (Erase Block Type 2) Minimum block erase cycles × 1000
		(P+2D)h = 66h	00h	
		(P+2E)h = 67h	01h	Bank Regions 1 (Erase Block Type 2): Blts per cell, internal ECC Bits 0-3: bits per cell in erase region Bit 4: reserved for “internal ECC used” Blts 5-7: reserved
		(P+2F)h = 68h	03h	Bank Region 1 (Erase Block Type 2): page mode and synchronous mode capabilities Bit 0: Page-mode reads permitted Bit 1: Synchronous reads permitted Bit 2: Synchronous writes permitted Bits 3-7: reserved

1. The variable P is a pointer which is defined at CFI offset 15h.
2. Applies to M58WR016KT.
3. Applies to M58WR032KT.
4. Applies to M58WR064KT.
5. Bank Regions. There are two Bank Regions, see Tables [32](#), [33](#), [34](#), [35](#), [36](#) and [37](#).

Table 47. Bank and Erase block region 2 information⁽¹⁾

M58WR016KT, M58WR032KT, M58WR064KT		M58WR016KB, M58WR032KB, M58WR064KB		Description
Offset	Data	Offset	Data	
(P+28)h = 61h	01h	(P+30)h = 69h	03h ⁽²⁾ 07h ⁽³⁾ 0Fh ⁽⁴⁾	Number of identical banks within Bank Region 2
(P+29)h = 62h	00h	(P+31)h = 6Ah	00h	
(P+2A)h = 63h	11h	(P+32)h = 6Bh	11h	Number of program or erase operations allowed in Bank Region 2: Bits 0-3: Number of simultaneous program operations Bits 4-7: Number of simultaneous erase operations
(P+2B)h = 64h	00h	(P+33)h = 6Ch	00h	Number of program or erase operations allowed in other banks while a bank in this region is programming Bits 0-3: Number of simultaneous program operations Bits 4-7: Number of simultaneous erase operations
(P+2C)h = 65h	00h	(P+34)h = 6Dh	00h	Number of program or erase operations allowed in other banks while a bank in this region is erasing Bits 0-3: Number of simultaneous program operations Bits 4-7: Number of simultaneous erase operations
(P+2D)h = 66h	02h	(P+35)h = 6Eh	01h	Types of erase block regions in Bank Region 2 n = number of erase block regions with contiguous same-size erase blocks. Symmetrically blocked banks have one blocking region. ⁽⁵⁾
(P+2E)h = 67h	06h	(P+36)h = 6Fh	07h	Bank Region 2 Erase Block Type 1 Information Bits 0-15: n+1 = number of identical-sized erase blocks Bits 16-31: n×256 = number of bytes in erase block region
(P+2F)h = 68h	00h	(P+37)h = 70h	00h	
(P+30)h = 69h	00h	(P+38)h = 71h	00h	
(P+31)h = 6Ah	01h	(P+39)h = 72h	01h	
(P+32)h = 6Bh	64h	(P+3A)h = 73h	64h	Bank Region 2 (Erase Block Type 1) Minimum block erase cycles × 1000
(P+33)h = 6Ch	00h	(P+3B)h = 74h	00h	
(P+34)h = 6Dh	01h	(P+3C)h = 75h	01h	Bank Region 2 (Erase Block Type 1): Blts per cell, internal ECC Bits 0-3: bits per cell in erase region Bit 4: reserved for "internal ECC used" Blts 5-7: reserved
(P+35)h = 6Eh	03h	(P+3D)h = 76h	03h	Bank Region 2 (Erase Block Type 1): page mode and synchronous mode capabilities (defined in Table 44) Bit 0: Page-mode reads permitted Bit 1: Synchronous reads permitted Bit 2: Synchronous writes permitted Bits 3-7: reserved

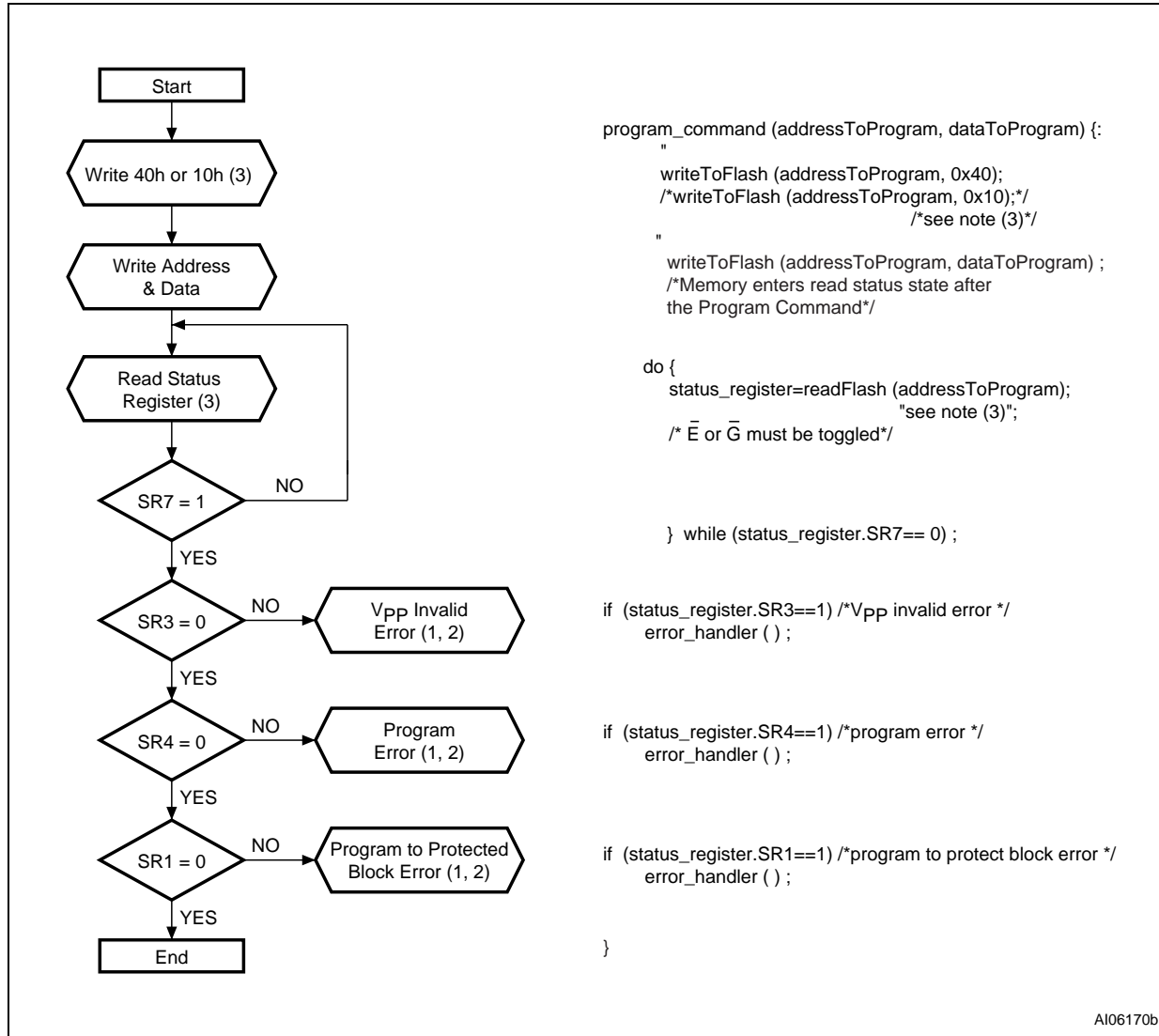
Table 47. Bank and Erase block region 2 information⁽¹⁾ (continued)

M58WR016KT, M58WR032KT, M58WR064KT		M58WR016KB, M58WR032KB, M58WR064KB		Description
Offset	Data	Offset	Data	
(P+36)h = 6Fh	07h			Bank Region 2 Erase Block Type 2 Information Bits 0-15: n+1 = number of identical-sized erase blocks Bits 16-31: nx256 = number of bytes in erase block region
(P+37)h = 70h	00h			
(P+38)h = 71h	20h			
(P+39)h = 72h	00h			
(P+3A)h = 73h	64h			Bank Region 2 (Erase Block Type 2)
(P+3B)h = 74h	00h			Minimum block erase cycles × 1000
(P+3C)h = 75h	01h			Bank Region 2 (Erase Block Type 2): Blts per cell, internal ECC Bits 0-3: bits per cell in erase region Bit 4: reserved for “internal ECC used” Blts 5-7: reserved
(P+3D)h = 76h	03h			Bank Region 2 (Erase Block Type 2): page mode and synchronous mode capabilities (defined in Table 44) Bit 0: Page-mode reads permitted Bit 1: Synchronous reads permitted Bit 2: Synchronous writes permitted Bits 3-7: reserved
(P+3E)h = 77h		(P+3E)h = 77h		Feature Space definitions
(P+3F)h = 78h		(P+3F)h = 78h		Reserved

1. The variable P is a pointer which is defined at CFI offset 15h.
2. Applies to M58WR016KB.
3. Applies to M58WR032KB.
4. Applies to M58WR064KB.
5. Bank Regions. There are two Bank Regions, see [Tables 32, 33, 34, 35, 36](#) and [37](#).

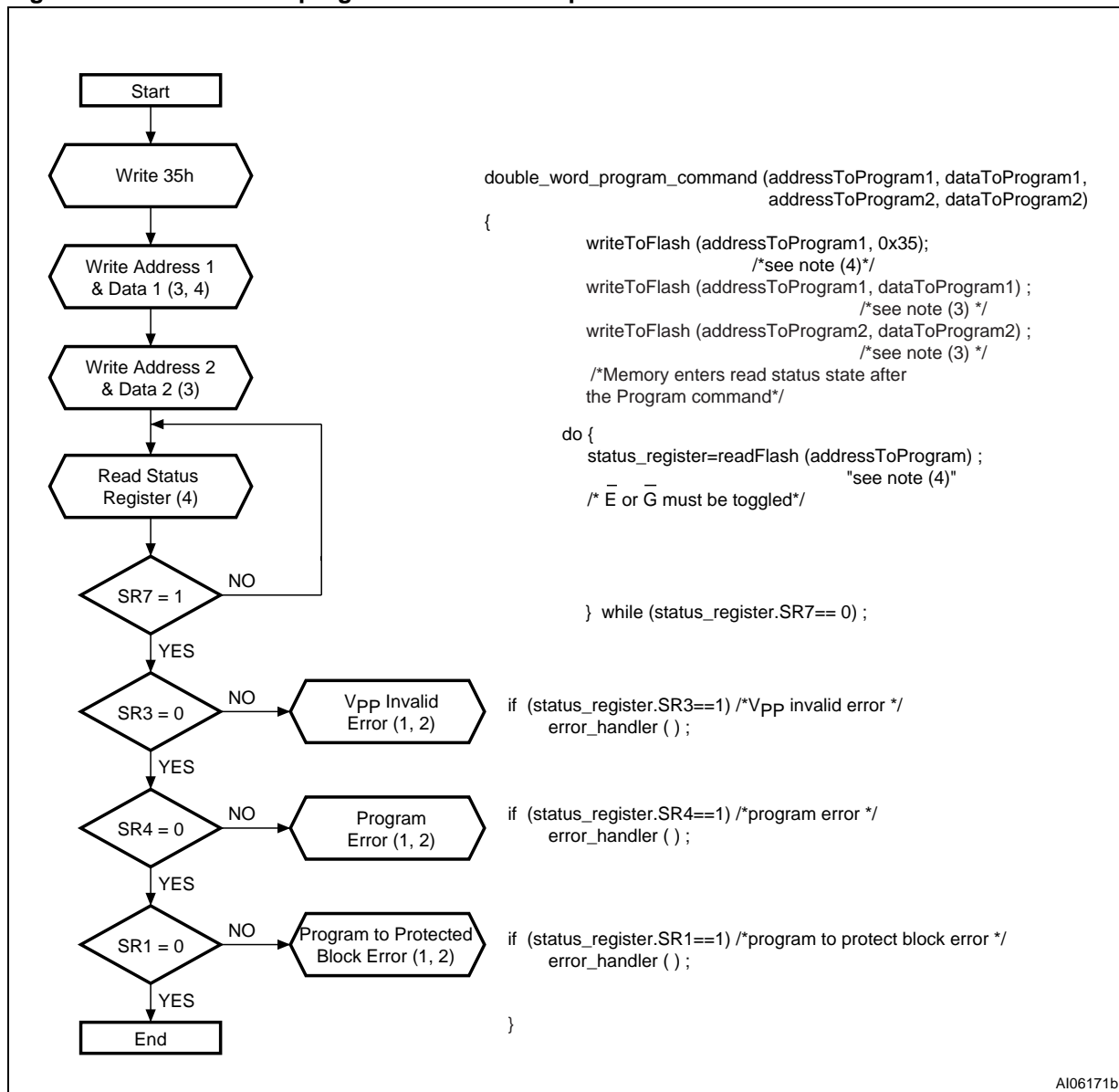
Appendix C Flowcharts and pseudo codes

Figure 23. Program flowchart and pseudo code



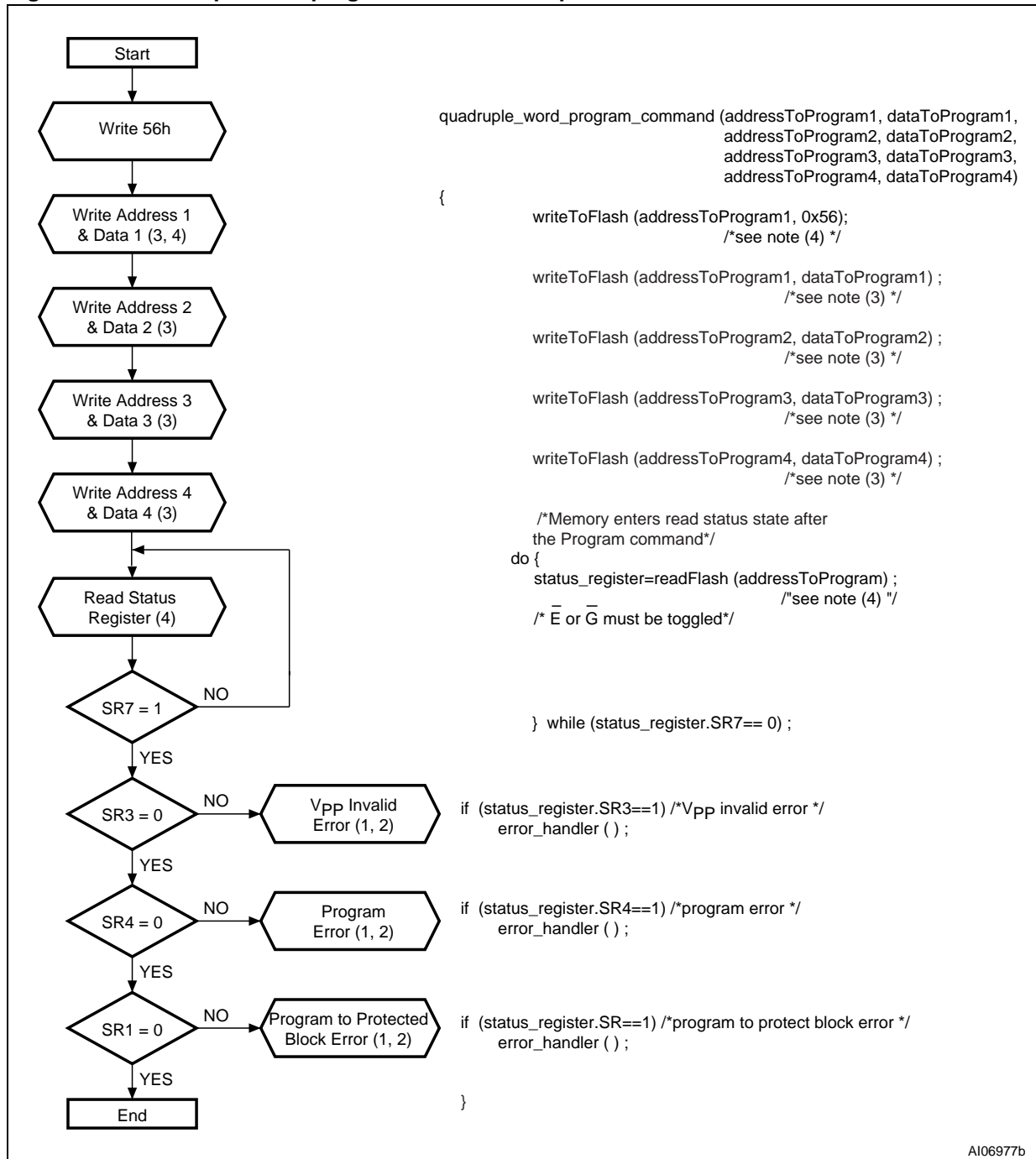
1. Status check of SR1 (Protected Block), SR3 (V_{PP} Invalid) and SR4 (Program Error) can be made after each program operation or after a sequence.
2. If an error is found, the Status Register must be cleared before further Program/Erase Controller operations.
3. Any address within the bank can equally be used.

Figure 24. Double word program flowchart and pseudo code



1. Status check of SR1 (Protected Block), SR3 (V_{PP} Invalid) and SR4 (Program Error) can be made after each program operation or after a sequence.
2. If an error is found, the Status Register must be cleared before further Program/Erase operations.
3. Address 1 and Address 2 must be consecutive addresses differing only for bit A0.
4. Any address within the bank can equally be used.

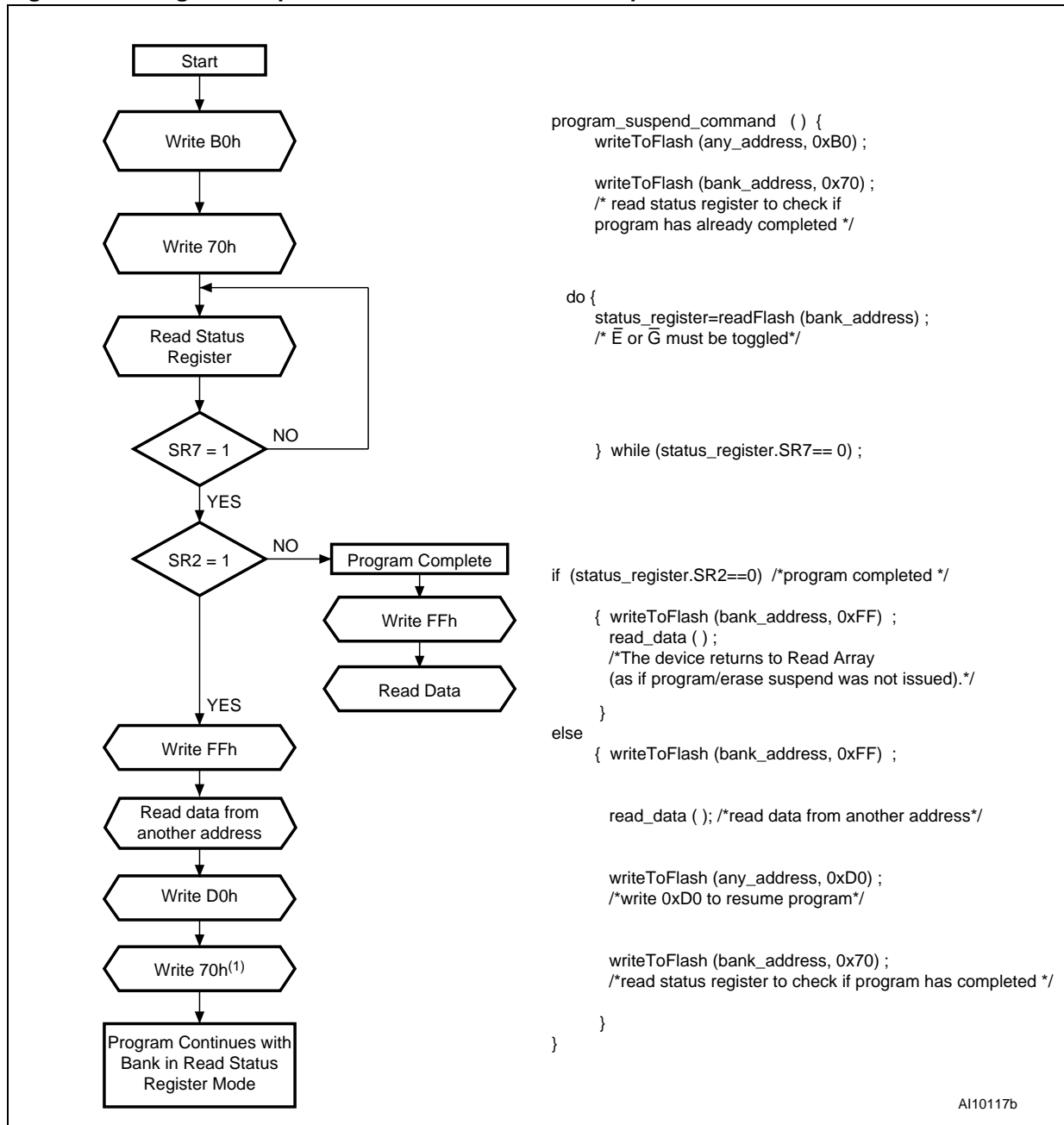
Figure 25. Quadruple word program flowchart and pseudo code



AI06977b

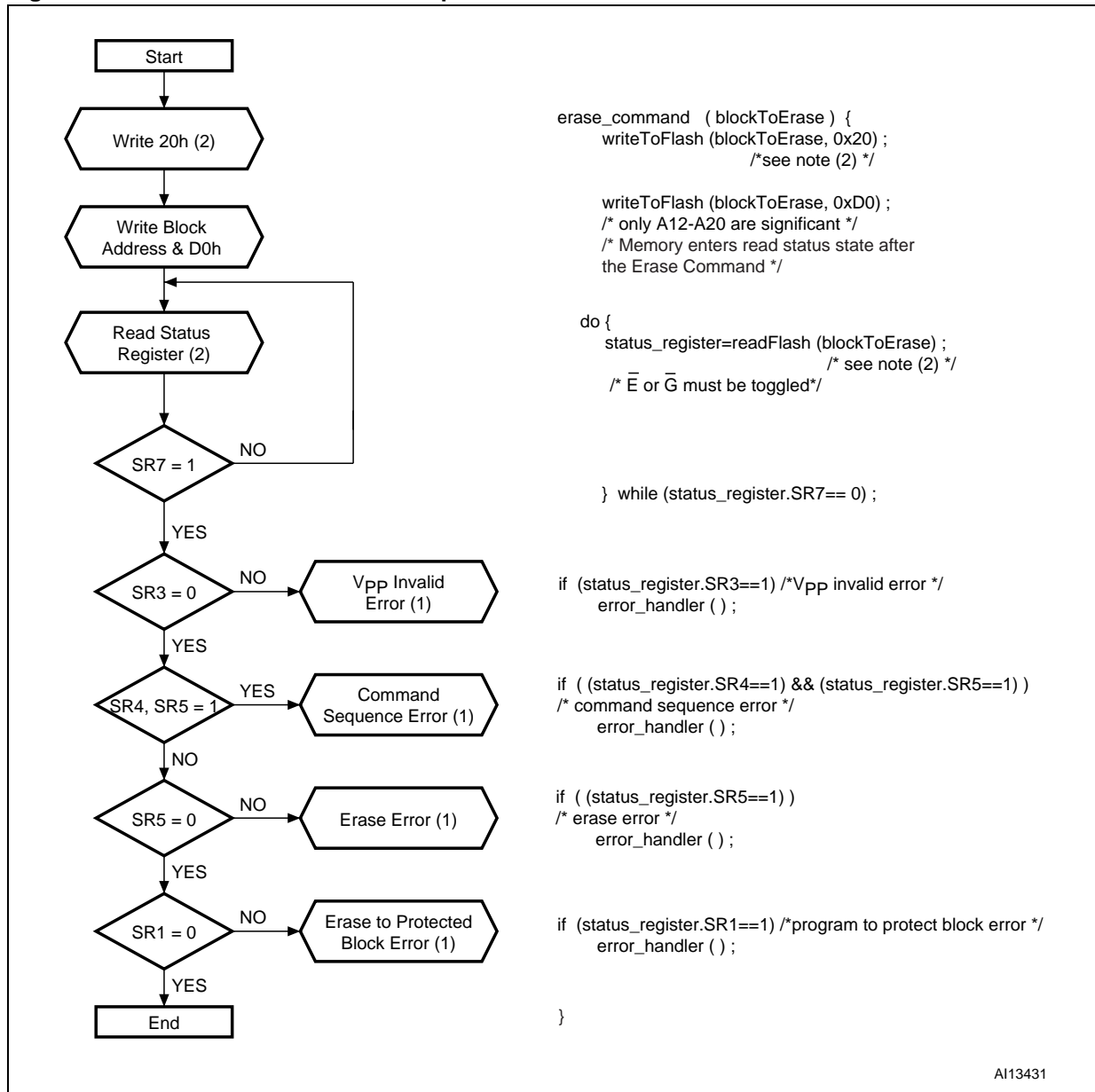
1. Status check of SR1 (Protected Block), SR3 (V_{PP} Invalid) and SR4 (Program Error) can be made after each program operation or after a sequence.
2. If an error is found, the Status Register must be cleared before further Program/Erase operations.
3. Address 1 to Address 4 must be consecutive addresses differing only for bits A0 and A1.
4. Any address within the bank can equally be used.

Figure 26. Program suspend and resume flowchart and pseudo code



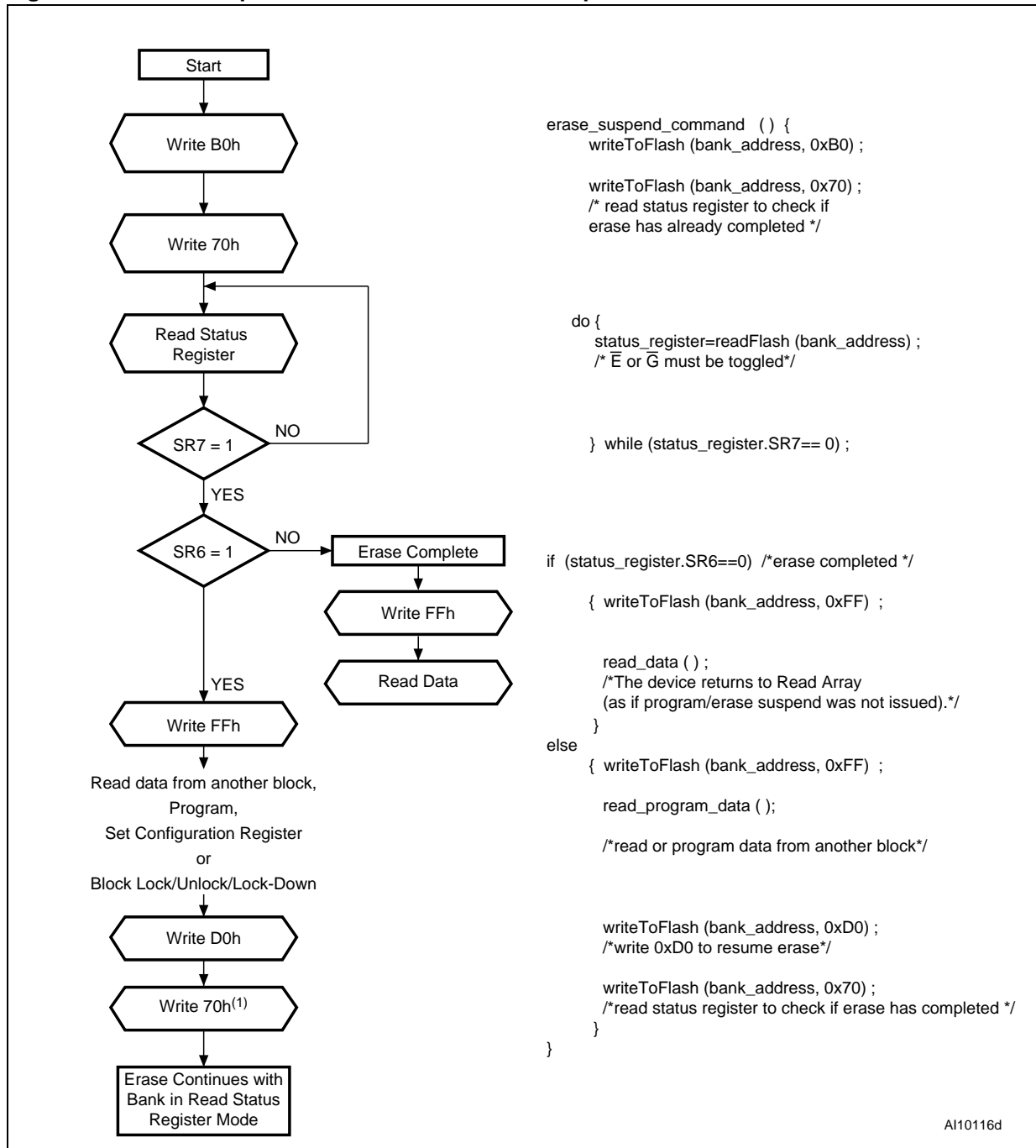
1. The Read Status Register command (Write 70h) can be issued just before or just after the Program Resume command.

Figure 27. Block erase flowchart and pseudo code



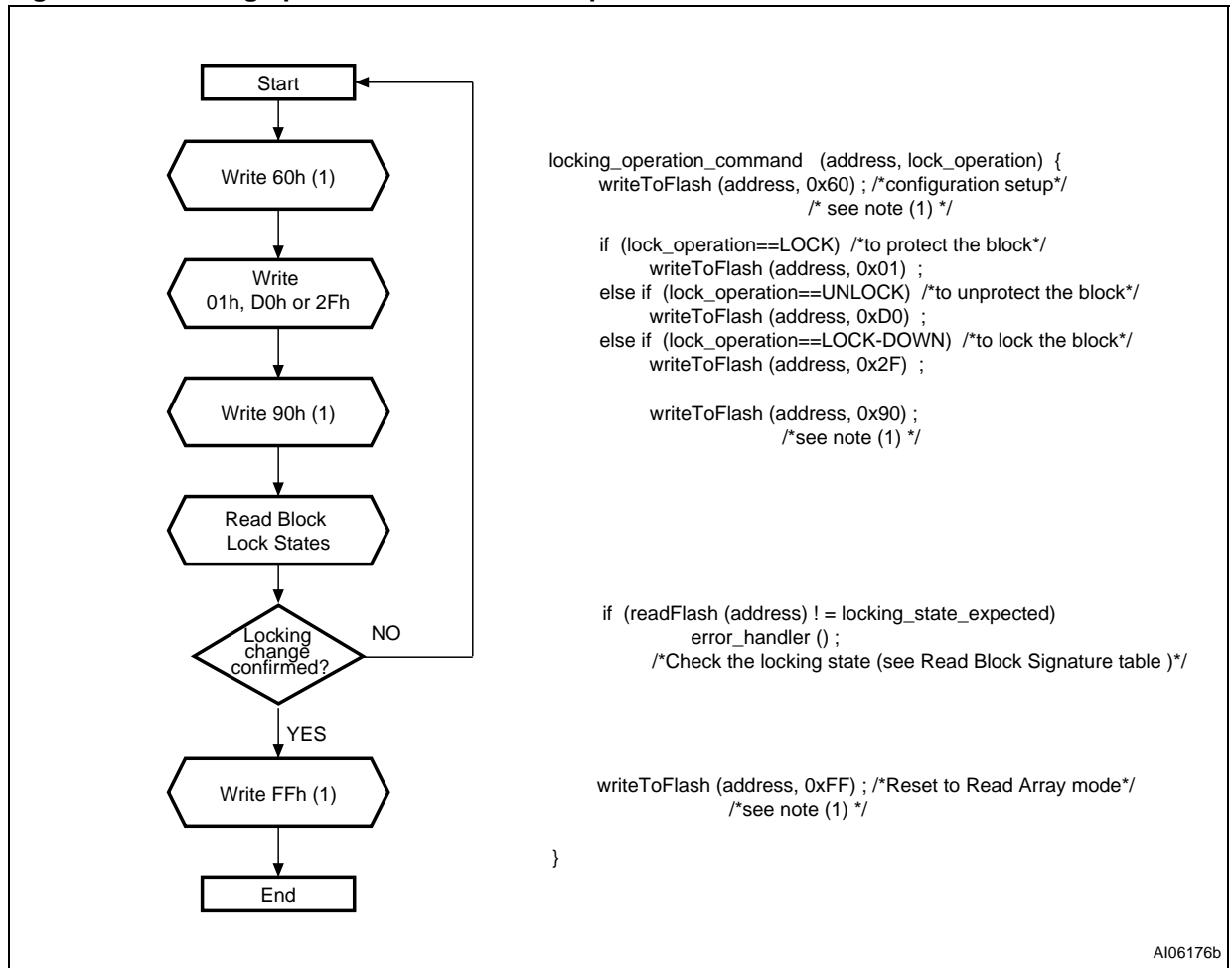
1. If an error is found, the Status Register must be cleared before further Program/Erase operations.
2. Any address within the bank can be used also.

Figure 28. Erase suspend and resume flowchart and pseudo code



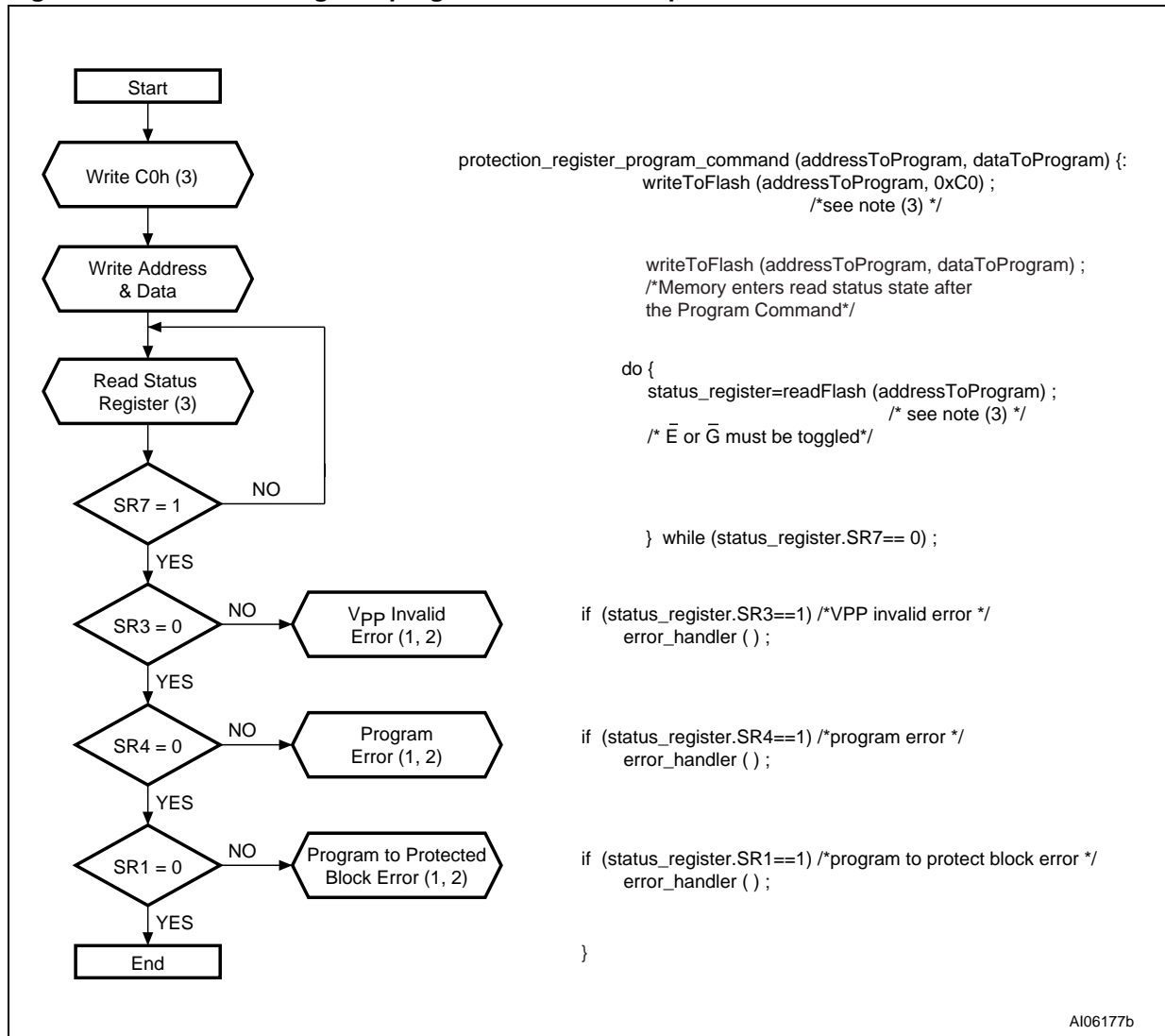
1. The Read Status Register command (Write 70h) can be issued just before or just after the Erase Resume command.

Figure 29. Locking operations flowchart and pseudo code



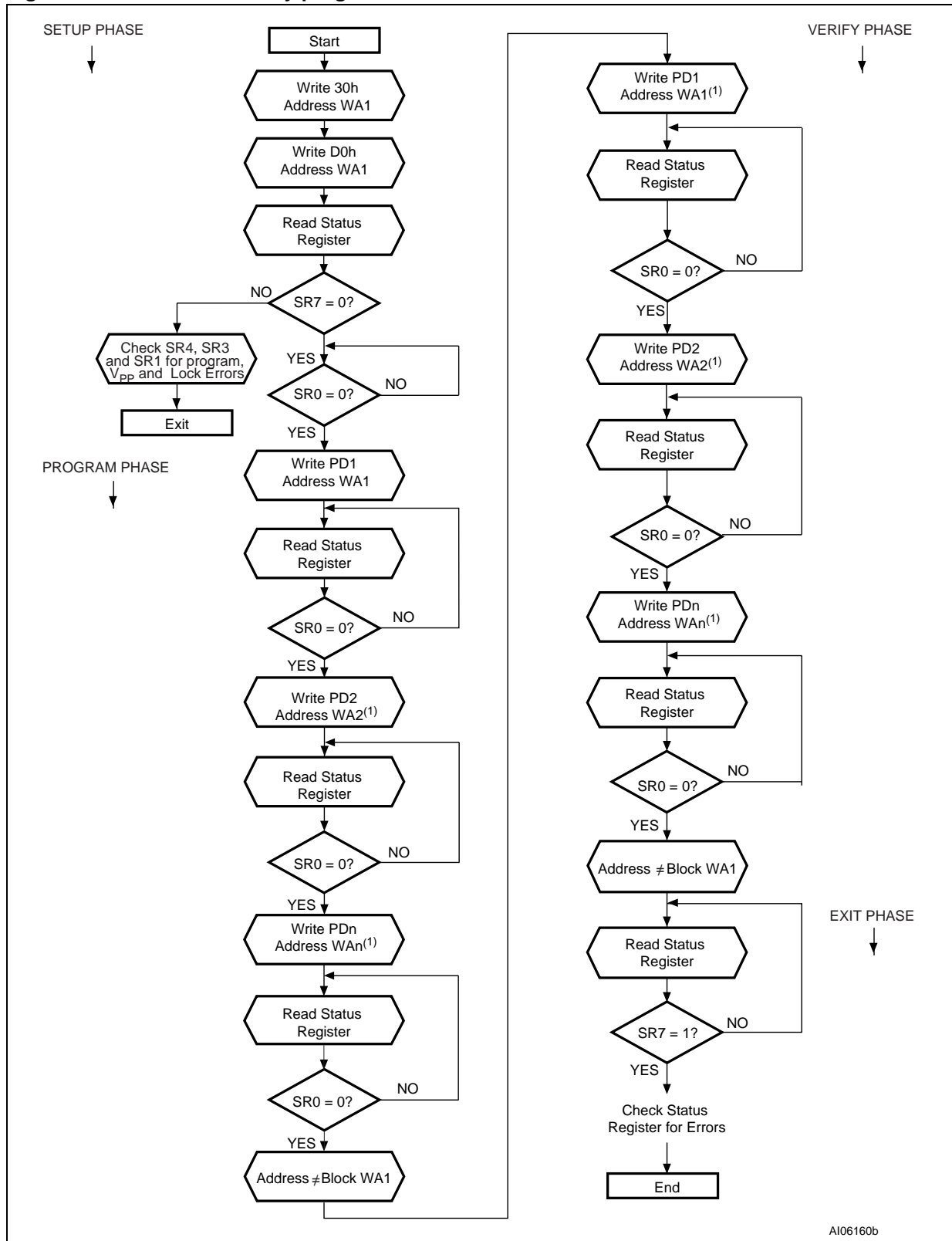
1. Any address within the bank can equally be used.

Figure 30. Protection Register program flowchart and pseudo code



1. Status check of SR1 (Protected Block), SR3 (V_{PP} Invalid) and SR4 (Program Error) can be made after each program operation or after a sequence.
2. If an error is found, the Status Register must be cleared before further Program/Erase Controller operations.
3. Any address within the bank can equally be used.

Figure 31. Enhanced factory program flowchart



AI06160b

1. Address can remain Starting Address WA1 or be incremented.

16.1 Enhanced factory program pseudo code

```

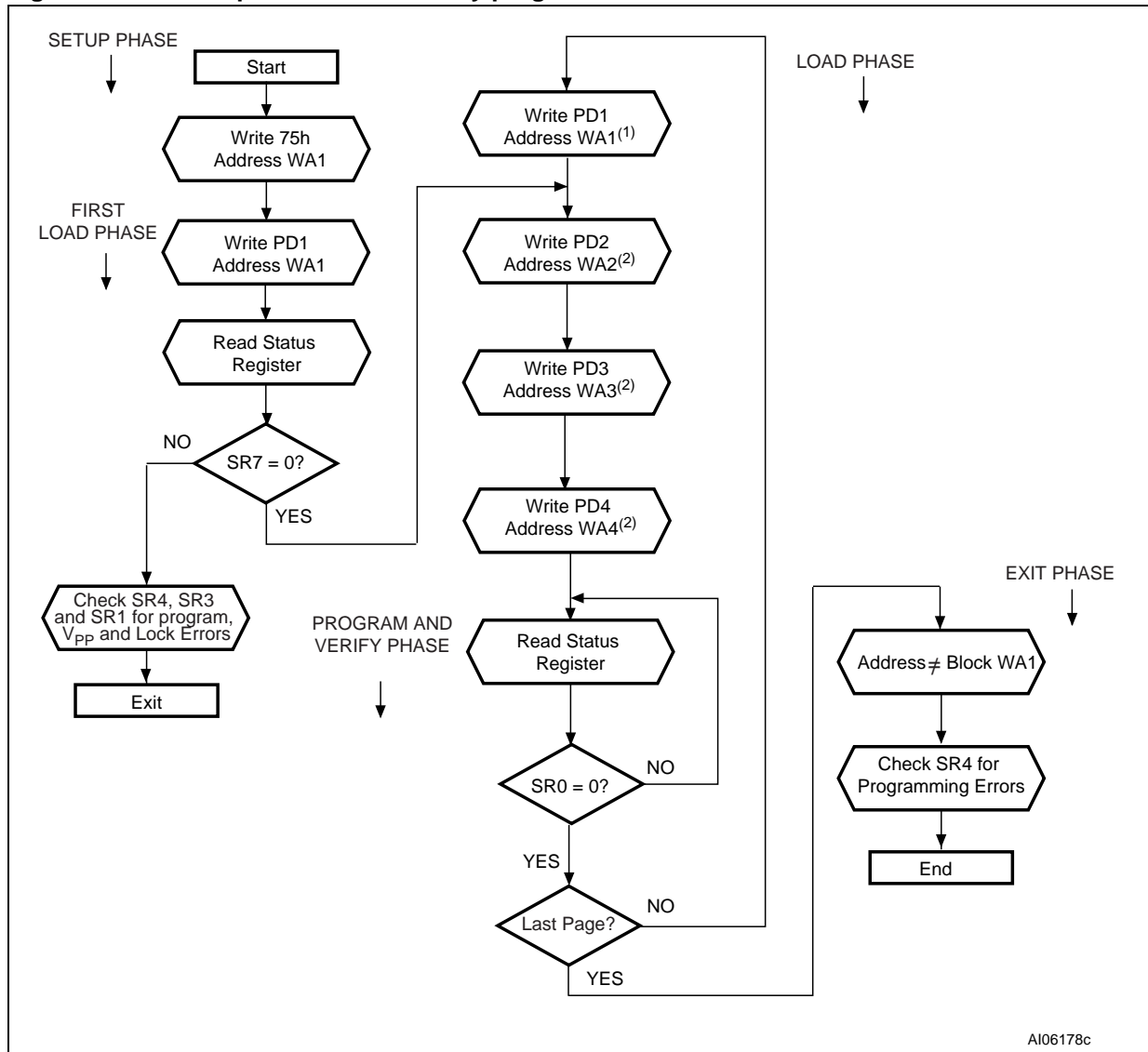
efp_command(addressFlow,dataFlow,n)
/* n is the number of data to be programmed */
{
    /* setup phase */
    writeToFlash(addressFlow[0],0x30);
    writeToFlash(addressFlow[0],0xD0);
    status_register=readFlash(any_address);
    if (status_register.SR7==1){
        /*EFP aborted for an error*/
        if (status_register.SR4==1) /*program error*/
            error_handler();
        if (status_register.SR3==1) /*VPP invalid error*/
            error_handler();
        if (status_register.SR1==1) /*program to protect block error*/
            error_handler();
    }
    else{
        /*Program Phase*/
        do{
            status_register=readFlash(any_address);
            /* E or G must be toggled*/
        } while (status_register.SR0==1)
        /*Ready for first data*/
        for (i=0; i++; i< n){
            writeToFlash(addressFlow[i],dataFlow[i]);
            /* status register polling*/
            do{
                status_register=readFlash(any_address);
                /* E or G must be toggled*/
            } while (status_register.SR0==1);
            /* Ready for a new data */
        }
        writeToFlash(another_block_address,any_data);

        /* Verify Phase */
        for (i=0; i++; i< n){
            writeToFlash(addressFlow[i],dataFlow[i]);
            /* status register polling*/
            do{
                status_register=readFlash(any_address);
                /* E or G must be toggled*/
            } while (status_register.SR0==1);
            /* Ready for a new data */
        }
        writeToFlash(another_block_address,any_data);
        /* exit program phase */

        /* Exit Phase */
        /* status register polling */
        do{
            status_register=readFlash(any_address);
            /* E or G must be toggled */
        } while (status_register.SR7==0);
        if (status_register.SR4==1) /*program failure error*/
            error_handler();
        if (status_register.SR3==1) /*VPP invalid error*/
            error_handler();
        if (status_register.SR1==1) /*program to protect block error*/
            error_handler();
    }
}

```

Figure 32. Quadruple enhanced factory program flowchart



AI06178c

1. Address can remain Starting Address WA1 (in which case the next page is programmed) or can be any address in the same block.
2. The address is only checked for the first word of each page as the order to program the words is fixed, so subsequent words in each page can be written to any address.

16.2 Quadruple enhanced factory program pseudo code

```

quad_efp_command(addressFlow,dataFlow,n)
/* n is the number of pages to be programmed.*/
{
    /* Setup phase */
    writeToFlash(addressFlow[0],0x75);
    for (i=0; i++; i< n){
        /*Data Load Phase*/

        /*First Data*/
        writeToFlash(addressFlow[i],dataFlow[i,0]);
        /*at the first data of the first page, Quad-EFP may be aborted*/
        if (First_Page) {
            status_register=readFlash(any_address);
            if (status_register.SR7==1){
                /*EFP aborted for an error*/
                if (status_register.SR4==1) /*program error*/
                    error_handler();
                if (status_register.SR3==1) /*VPP invalid error*/
                    error_handler();
                if (status_register.SR1==1) /*program to protect block
error*/
                    error_handler();
            }
        }
        /*2nd data*/
        writeToFlash(addressFlow[i],dataFlow[i,1]);

        /*3rd data*/
        writeToFlash(addressFlow[i],dataFlow[i,2]);

        /*4th data*/
        writeToFlash(addressFlow[i],dataFlow[i,3]);

        /* Program&Verify Phase */
        do{
            status_register=readFlash(any_address);
            /* E or G must be toggled*/
        }while (status_register.SR0==1)
    }
    /* Exit Phase */
    writeToFlash(another_block_address,any_data);
    /* status register polling */
    do{
        status_register=readFlash(any_address);
        /* E or G must be toggled */
    } while (status_register.SR7==0);
        if (status_register.SR1==1) /*program to protected block error*/
            error_handler();
        if (status_register.SR3==1) /*VPP invalid error*/
            error_handler();
        if (status_register.SR4==1) /*program failure error*/
            error_handler();
    }
}

```

Appendix D Command interface state tables

Table 48. Command interface states - modify table, next state⁽¹⁾

Current CI State		Command Input									
		Read Array ⁽²⁾ (FFh)	WP setup ⁽³⁾⁽⁴⁾ (10/40h)	DWP, QWP Setup ⁽³⁾⁽⁴⁾ (35h, 56h)	Block Erase Setup ⁽³⁾⁽⁴⁾ (20h)	EFP Setup (30h)	Quad-EFP Setup (75h)	Erase Confirm, P/E Resume, Block Unlock confirm, EFP Confirm (D0h)	Program/ Erase Suspend (B0h)	Read Status Register (70h)	Clear Status Register ⁽⁵⁾ (50h)
Ready		Ready	Program Setup	Program Setup	Erase Setup	EFP Setup	Quad-EFP Setup	Ready			
Lock/CR Setup		Ready (Lock Error)					Ready	Ready (Lock Error)			
OTP	Setup	OTP Busy									
	Busy	OTP Busy	IS in OTP busy				OTP Busy				
	IS in OTP busy	OTP busy									
Program	Setup	Program Busy									
	Busy	Program busy	IS in Program busy				Program busy	PS	Program busy		
	IS in Program busy	Program Busy									
	Suspend	PS	IS in Program Suspend				Program Busy	Program Suspend			
	IS in PS	Program suspend									
Erase	Setup	Ready (error)					Erase Busy	Ready (error)			
	Busy	Erase Busy	IS in Erase busy				Erase Busy	ES	Erase Busy		
	IS in Erase busy	Erase busy									
	Suspend	ES	Program in ES	IS in Erase Suspend			Erase Busy	Erase Suspend			
	IS in ES	Erase Suspend									
Program in ES	Setup	Program Busy in Erase Suspend									
	Busy	Program Busy in ES	IS in Program Busy in Erase Suspend				Program Busy in ES	PS in ES	Program Busy in Erase Suspend		
	IS in Program busy in ES	Program Busy in Erase Suspend									
	Suspend	PS in ES	IS in Program suspend in ES				Program Busy in ES	Program Suspend in Erase Suspend			
	IS in PS in ES	Program Suspend in Erase Suspend									
Lock/CR Setup in ES		Erase Suspend (Lock Error)					ES	Erase Suspend (Lock Error)			

Table 48. Command interface states - modify table, next state⁽¹⁾ (continued)

Current CI State		Command Input										
		Read Array ⁽²⁾ (FFh)	WP setup ⁽³⁾⁽⁴⁾ (10/40h)	DWP, QWP Setup ⁽³⁾⁽⁴⁾ (35h, 56h)	Block Erase Setup ⁽³⁾⁽⁴⁾ (20h)	EFP Setup (30h)	Quad-EFP Setup (75h)	Erase Confirm, P/E Resume, Block Unlock confirm, EFP Confirm (D0h)	Program/ Erase Suspend (B0h)	Read Status Register (70h)	Clear Status Register ⁽⁵⁾ (50h)	Read Electronic signature, Read CFI Query (90h, 98h)
EFP	Setup	Ready (error)					EFP Busy	Ready (error)				
	Busy	EFP Busy ⁽⁶⁾										
	Verify	EFP Verify ⁽⁶⁾										
Quad EFP	Setup	Quad EFP Busy ⁽⁶⁾										
	Busy	Quad EFP Busy ⁽⁶⁾										

1. CI = Command Interface, CR = Configuration Register, EFP = Enhanced Factory Program, Quad EFP = Quadruple Enhanced Factory Program, DWP = Double Word Program, QWP = Quadruple Word Program, P/EC = Program/Erase Controller, PS = program suspend, ES = erase suspend, IS = Illegal state.
2. At Power-Up, all banks are in read array mode. A Read Array command issued to a busy bank, results in undetermined data output.
3. The two cycle command should be issued to the same bank address.
4. If the P/EC is active, both cycles are ignored.
5. The Clear Status Register command clears the Status Register error bits except when the P/EC is busy or suspended.
6. EFP and Quad EFP are allowed only when Status Register bit SR0 is set to '0'. EFP and Quad EFP are busy if Block Address is first EFP Address. Any other commands are treated as data.

Table 49. Command interface states - modify table, next output⁽¹⁾

Current CI State	Command Input ⁽²⁾										
	Read Array ⁽³⁾ (FFh)	DWP, QWP Setup ⁽⁴⁾⁽⁵⁾ (35h, 56h)	Block Erase Setup ⁽⁴⁾⁽⁵⁾ (20h)	EFP Setup (30h)	Quad-EFP Setup (75h)	Erase Confirm P/E Resume, Block Unlock confirm, EFP Confirm (D0h)	Program/Erase Suspend (B0h)	Read Status Register (70h)	Clear Status Register ⁽⁶⁾ (50h)	Read Electronic signature, Read CFI Query (90h, 98h)	
Program Setup	Status Register										
Erase Setup											
OTP Setup											
Program Setup in Erase Suspend											
EFP Setup											
EFP Busy											
EFP Verify											
Quad EFP Setup											
Quad EFP Busy											
Lock/CR Setup											
Lock/CR Setup in Erase Suspend											
OTP Busy	Array	Status Register				Output Unchanged		Status Register	Output Unchanged		Status Register
Ready		Electronic Signature/CFI									
Program Busy											
Erase Busy											
Program/Erase Suspend											
Program Busy in Erase Suspend											
Program Suspend in Erase Suspend											
Illegal State	Output Unchanged										

1. CI = Command Interface, CR = Configuration Register, EFP = Enhanced Factory Program, Quad EFP = Quadruple Enhanced Factory Program, DWP = Double Word Program, QWP = Quadruple Word Program, P/EC = Program/Erase Controller, IS = Illegal State, ES = Erase suspend, PS = Program suspend.
2. The output state shows the type of data that appears at the outputs if the bank address is the same as the command address. A bank can be placed in read array, Read Status Register, Read Electronic Signature or Read CFI Query mode, depending on the command issued. Each bank remains in its last output state until a new command is issued. The next state does not depend on the bank's output state.
3. At Power-Up, all banks are in read array mode. A Read Array command issued to a busy bank, results in undetermined data output.
4. The two cycle command should be issued to the same bank address.
5. If the P/EC is active, both cycles are ignored.
6. The Clear Status Register command clears the Status Register error bits except when the P/EC is busy or suspended.

Table 50. Command interface states - Lock table, next state⁽¹⁾

Current CI State		Command Input							P/E. C. Operation Completed
		Lock/CR Setup ⁽²⁾ (60h)	OTP Setup ⁽²⁾ (C0h)	Block Lock Confirm (01h)	Block Lock-Down Confirm (2Fh)	Set CR Confirm (03h)	EFP Exit, Quad EFP Exit ⁽³⁾	Illegal Command ⁽⁴⁾	
Ready		Lock/CR Setup	OTP Setup	Ready				N/A	
Lock/CR Setup		Ready (Lock error)		Ready		Ready (Lock error)		N/A	
OTP	Setup	OTP Busy							
	Busy	IS in OTP busy		OTP Busy				Ready	
	IS in OTP busy	OTP Busy							IS Ready
Program	Setup	Program Busy							N/A
	Busy	IS in Program busy		Program Busy				Ready	
	IS in Program busy	Program busy							IS Ready
	Suspend	IS in PS		Program Suspend				N/A	
	IS in PS	Program Suspend							N/A
Erase	Setup	Ready (error)							N/A
	Busy	IS in Erase Busy		Erase Busy				Ready	
	IS in Erase Busy	Erase Busy							IS Ready
	Suspend	Lock/CR Setup in ES	IS in Erase Suspend	Erase Suspend				N/A	
	IS in ES	Erase Suspend							N/A
Program in Erase Suspend	Setup	Program Busy in Erase Suspend							
	Busy	IS in Program busy in ES		Program Busy in Erase Suspend				ES	
	IS in Program busy in ES	Program busy in ES							IS in ES
	Suspend	IS in PS in ES		Program Suspend in Erase Suspend				N/A	
	IS in PS in ES	Program Suspend in Erase Suspend							
Lock/CR Setup in ES		Erase Suspend (Lock error)		Erase Suspend		Erase Suspend (Lock error)		N/A	
EFP	Setup	Ready (error)							N/A
	Busy	EFP Busy ⁽⁵⁾				EFP Verify	EFP Busy ⁽⁵⁾		N/A
	Verify	EFP Verify ⁽⁵⁾				Ready	EFP Verify ⁽⁵⁾		Ready
QuadEFP	Setup	Quad EFP Busy ⁽⁵⁾							N/A
	Busy	Quad EFP Busy ⁽⁵⁾				Ready	Quad EFP Busy ⁽⁴⁾		Ready

1. CI = Command Interface, CR = Configuration Register, EFP = Enhanced Factory Program, Quad EFP = Quadruple Enhanced Factory Program, P/EC = Program/Erase Controller, IS = Illegal state, ES = Erase suspend, PS = Program suspend.
2. If the P/EC is active, both cycles are ignored.
3. EFP and Quad EFP exit when block address is different from first block address.
4. Illegal commands are those not defined in the command set.
5. EFP and Quad EFP are allowed only when Status Register bit SR0 is set to '0'. EFP and Quad EFP are busy if Block Address is first EFP Address. Any other commands are treated as data.

Table 51. Command interface states - lock table, next output⁽¹⁾

Current CI State	Command Input							
	Lock/CR Setup ⁽²⁾ (60h)	OTP Setup ⁽²⁾ (C0h)	Block Lock Confirm (01h)	Block Lock-Down Confirm (2Fh)	Set CR Confirm (03h)	EFP Exit, Quad EFP Exit ⁽³⁾	Illegal Command ⁽⁴⁾	P/E. C. Operation Completed
Program Setup	Status Register							Output Unchanged
Erase Setup								
OTP Setup								
Program Setup in Erase Suspend								
EFP Setup								
EFP Busy								
EFP Verify								
Quad EFP Setup								
Quad EFP Busy								
Lock/CR Setup	Status Register			Array	Status Register		Output Unchanged	
Lock/CR Setup in Erase Suspend	Status Register			Array	Status Register			
OTP Busy	Status Register	Output Unchanged			Array	Output Unchanged		
Ready								
Program Busy								
Erase Busy								
Program/Erase Suspend								
Program Busy in Erase Suspend								
Program Suspend in Erase Suspend								
Illegal State	Output Unchanged							

1. CI = Command Interface, CR = Configuration Register, EFP = Enhanced Factory Program, Quad EFP = Quadruple Enhanced Factory Program, P/E. C. = Program/Erase Controller.
2. If the P/EC is active, both cycles are ignored.
3. EFP and Quad EFP exit when Block Address is different from first Block Address.
4. Illegal commands are those not defined in the command set.

Revision history

Table 52. Document revision history

Date	Revision	Changes
15-Feb-2007	1	Initial release.
21-Nov-2007	2	Changed Section 6.3.1 through Section 6.3.4 , and Section 6.4.1 through Section 6.4.4 to third-level headings. Changed NOT VALID to VALID for the DQ0-DQ15 timing in Figure 16: Synchronous burst read suspend AC waveforms . Changed the Synchronous burst read mode value from 86 MHz to 66 MHz in the Features on page 1 and in Section 1: Description . Removed the 60 ns speed class from the entire document, specifically Table 11: Latency settings , Table 20: Operating and AC measurement conditions , Table 24: Asynchronous read AC characteristics , Table 25: Synchronous read AC characteristics , Table 26: Write AC characteristics , Write Enable controlled , Table 27: Write AC characteristics , Chip Enable controlled , Table 28: Reset and power-up AC characteristics , and Table 31: Ordering information scheme . Deleted the 86 MHz currents from Table 22: DC characteristics - currents and Table 25 . Changed the t_{KHQX} value from 3 ns to 4 ns in Table 25 .
06-Mar-2008	3	Added the ZAQ package information in Figure 3: TFBGA88 connections (top view through package) , Figure 22: TFBGA88 8x10mm - 8 x 10 ball array, 0.8 mm pitch, bottom view outline , Table 30: TFBGA88 8 x 10 mm - 8 x 10 ball array, 0.8 mm pitch, package data , and Table 31: Ordering information scheme . Changed the IDD_2 values from 2 and 10 to 15 and 50 respectively in Table 22: DC characteristics - currents . Removed t_{LHGL} from Figure 12: Asynchronous random access read AC waveforms , Figure 13: Asynchronous page read AC waveforms , and Table 22: DC characteristics - currents .
24-Apr-2008	4	Changed several values in Table 22: DC characteristics - currents . Applied Numonyx branding.

Please Read Carefully:

INFORMATION IN THIS DOCUMENT IS PROVIDED IN CONNECTION WITH NUMONYX™ PRODUCTS. NO LICENSE, EXPRESS OR IMPLIED, BY ESTOPPEL OR OTHERWISE, TO ANY INTELLECTUAL PROPERTY RIGHTS IS GRANTED BY THIS DOCUMENT. EXCEPT AS PROVIDED IN NUMONYX'S TERMS AND CONDITIONS OF SALE FOR SUCH PRODUCTS, NUMONYX ASSUMES NO LIABILITY WHATSOEVER, AND NUMONYX DISCLAIMS ANY EXPRESS OR IMPLIED WARRANTY, RELATING TO SALE AND/OR USE OF NUMONYX PRODUCTS INCLUDING LIABILITY OR WARRANTIES RELATING TO FITNESS FOR A PARTICULAR PURPOSE, MERCHANTABILITY, OR INFRINGEMENT OF ANY PATENT, COPYRIGHT OR OTHER INTELLECTUAL PROPERTY RIGHT.

Numonyx products are not intended for use in medical, life saving, life sustaining, critical control or safety systems, or in nuclear facility applications.

Numonyx may make changes to specifications and product descriptions at any time, without notice.

Numonyx, B.V. may have patents or pending patent applications, trademarks, copyrights, or other intellectual property rights that relate to the presented subject matter. The furnishing of documents and other materials and information does not provide any license, express or implied, by estoppel or otherwise, to any such patents, trademarks, copyrights, or other intellectual property rights.

Designers must not rely on the absence or characteristics of any features or instructions marked "reserved" or "undefined." Numonyx reserves these for future definition and shall have no responsibility whatsoever for conflicts or incompatibilities arising from future changes to them.

Contact your local Numonyx sales office or your distributor to obtain the latest specifications and before placing your product order.

Copies of documents which have an order number and are referenced in this document, or other Numonyx literature may be obtained by visiting Numonyx's website at <http://www.numonyx.com>.

Numonyx StrataFlash is a trademark or registered trademark of Numonyx or its subsidiaries in the United States and other countries.

*Other names and brands may be claimed as the property of others.

Copyright © 11/5/7, Numonyx, B.V., All Rights Reserved.